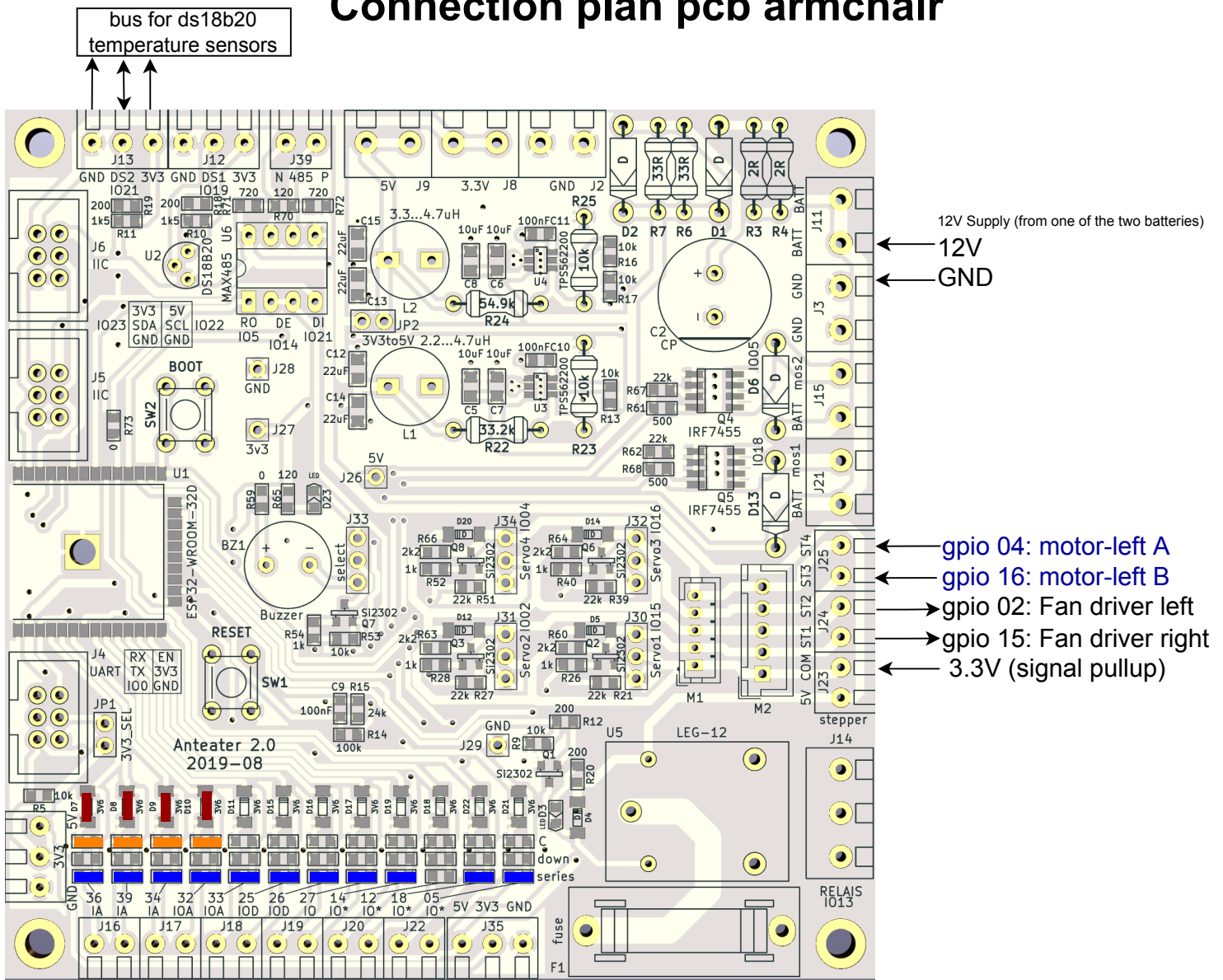


# Connection plan pcb armchair



bus for ds18b20 temperature sensors

12V Supply (from one of the two batteries)

12V  
GND

gpio 04: motor-left A  
 gpio 16: motor-left B  
 gpio 02: Fan driver left  
 gpio 15: Fan driver right  
 3.3V (signal pullup)

gpio 05: [MOS2] motor-right A  
 gpio 18: [MOS1] motor-right A  
 gpio 12: [LED/BUZZER]  
 gpio 14: [RS485] motor-right B  
 gpio 27: motor-right PWM  
 gpio 26: motor-left PWM  
 gpio 25: Switch motor-right (2)  
 gpio 32: ADC Current sensor motor-right (2)  
 gpio 34: ADC Current sensor motor-left (1)  
 gpio 39: ADC Joystick Y (green)  
 gpio 36: ADC Joystick X (yellow)

Legend	
	0 Ohm Resistor
	1.5k Ohm Resistor
	Z-Diode
[xxx]	Conflicting Component