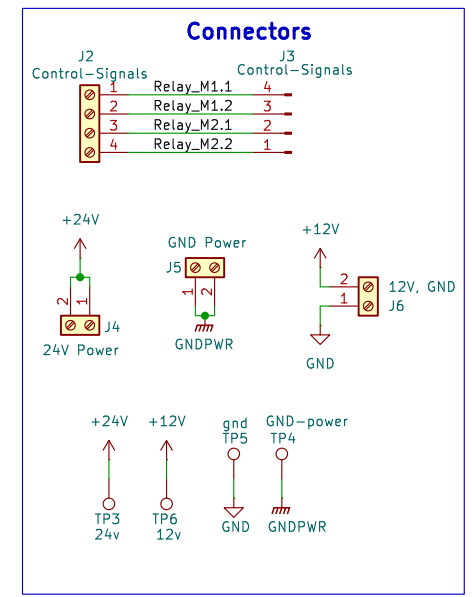
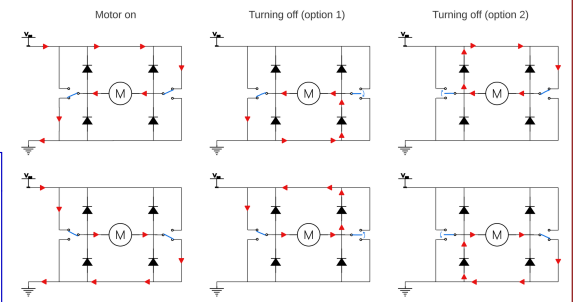
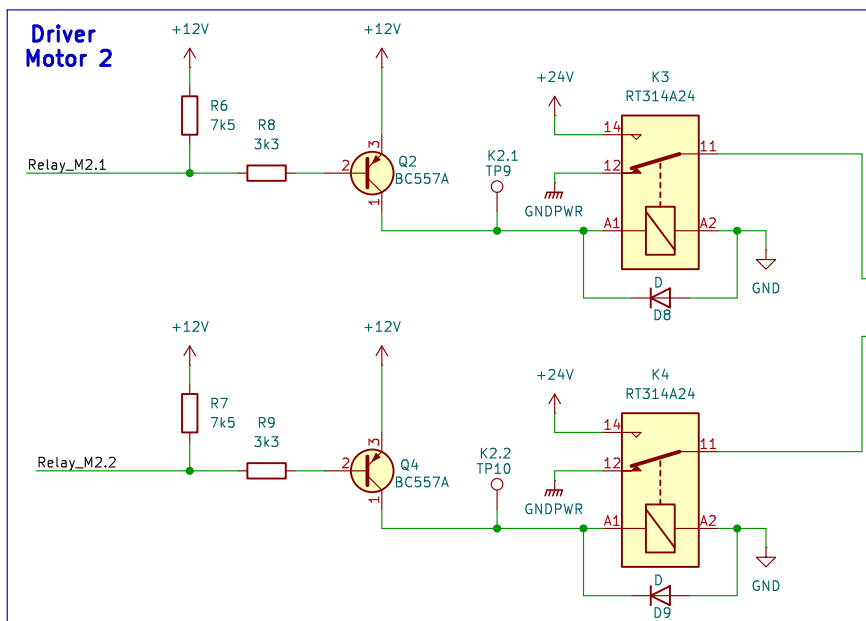
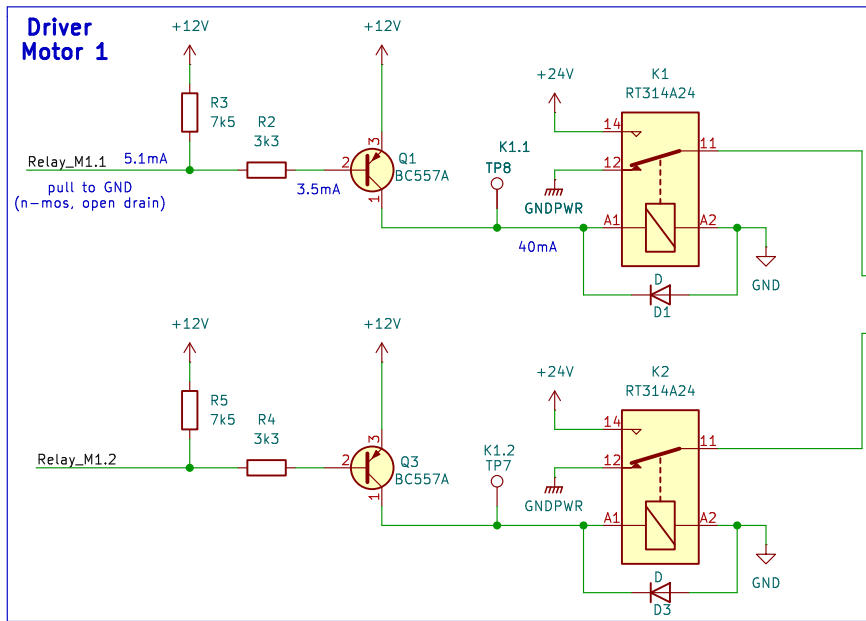


Setup:  
 [ control board: ESP32-GPIO-3.3V -> N-Mosfet ] -> [ this board: pullup-to-12V -> PNP-BJT -> Relay ]  
 -> non inverted: Controller pin high = Relay on



- Todo:
- Add snubber?
  - Add TVS?
- H1 MountingHole
  - H2 MountingHole
  - H3 MountingHole
  - H4 MountingHole

Relay board for controlling  
 2 motors for chair adjustment of armchair  
 in both direction with protection  
[https://github.com/Jonny999999/armchair\\_fw](https://github.com/Jonny999999/armchair_fw)

Sheet: /  
 File: chairAdjust-relayBoard.kicad\_sch

**Title: chairAdjust relay-board**

Size: A4 | Date: 2024-09-07  
 KiCad E.D.A. 8.0.3

Rev: V1.0  
 Id: 1/1