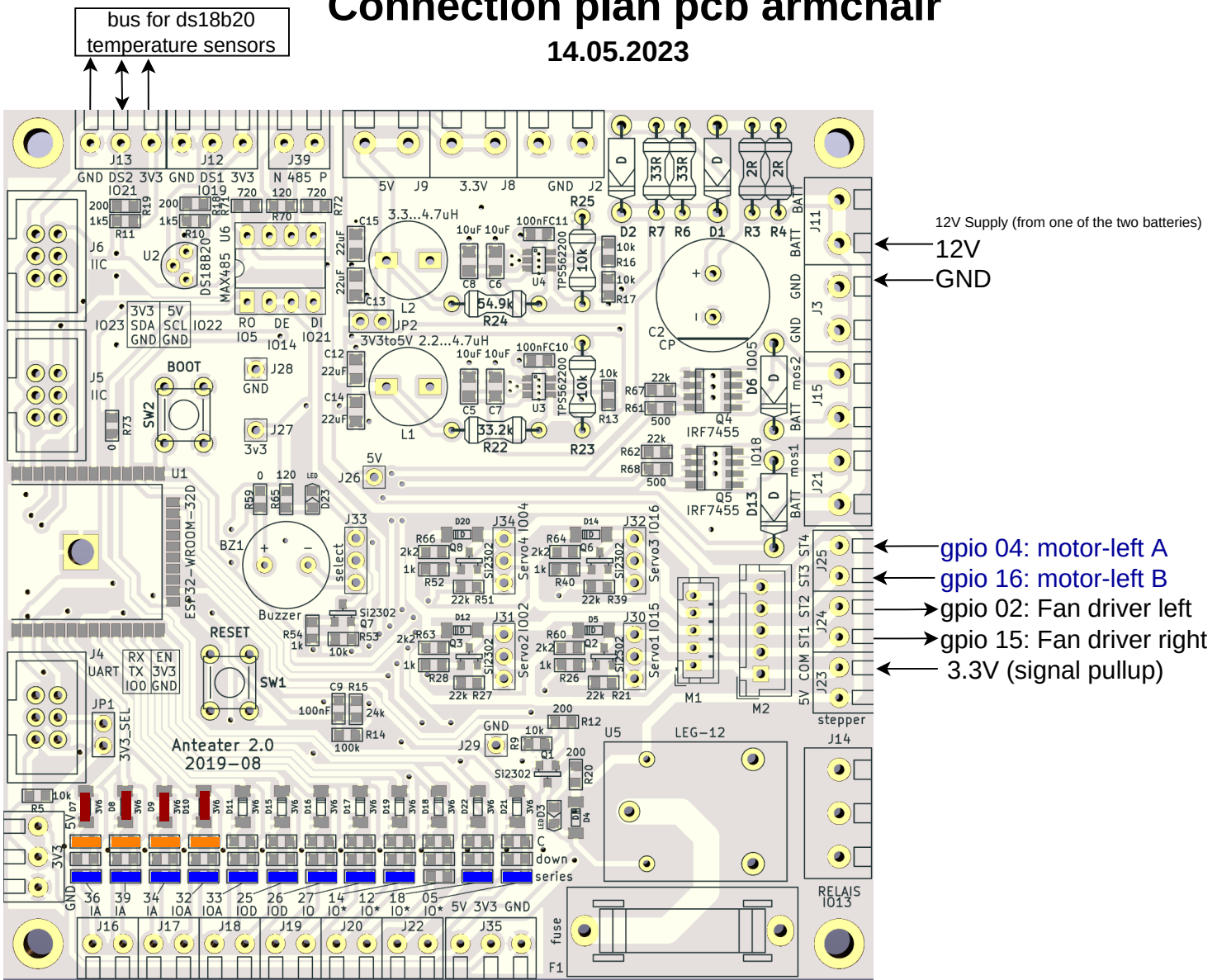


Connection plan pcb armchair

14.05.2023



- gpio 05: [MOS2]
- gpio 18: [MOS1] motor-right A
- gpio 12: [LED/BUZZER]
- gpio 14: [RS485] motor-right B
- gpio 27: motor-right PWM
- gpio 26: motor-left PWM
- gpio 25: Switch motor-right (2)
- gpio 33: Joystick switch
- gpio 32: ADC Current sensor motor-right (2)
- gpio 34: ADC Current sensor motor-left (1)
- gpio 39: ADC Joystick Y (green)
- gpio 36: ADC Joystick X (yellow)

Legend	
■	0 Ohm Resistor
■	1.5k Ohm Resistor
■	Z-Diode
[xxx]	Conflicting Component