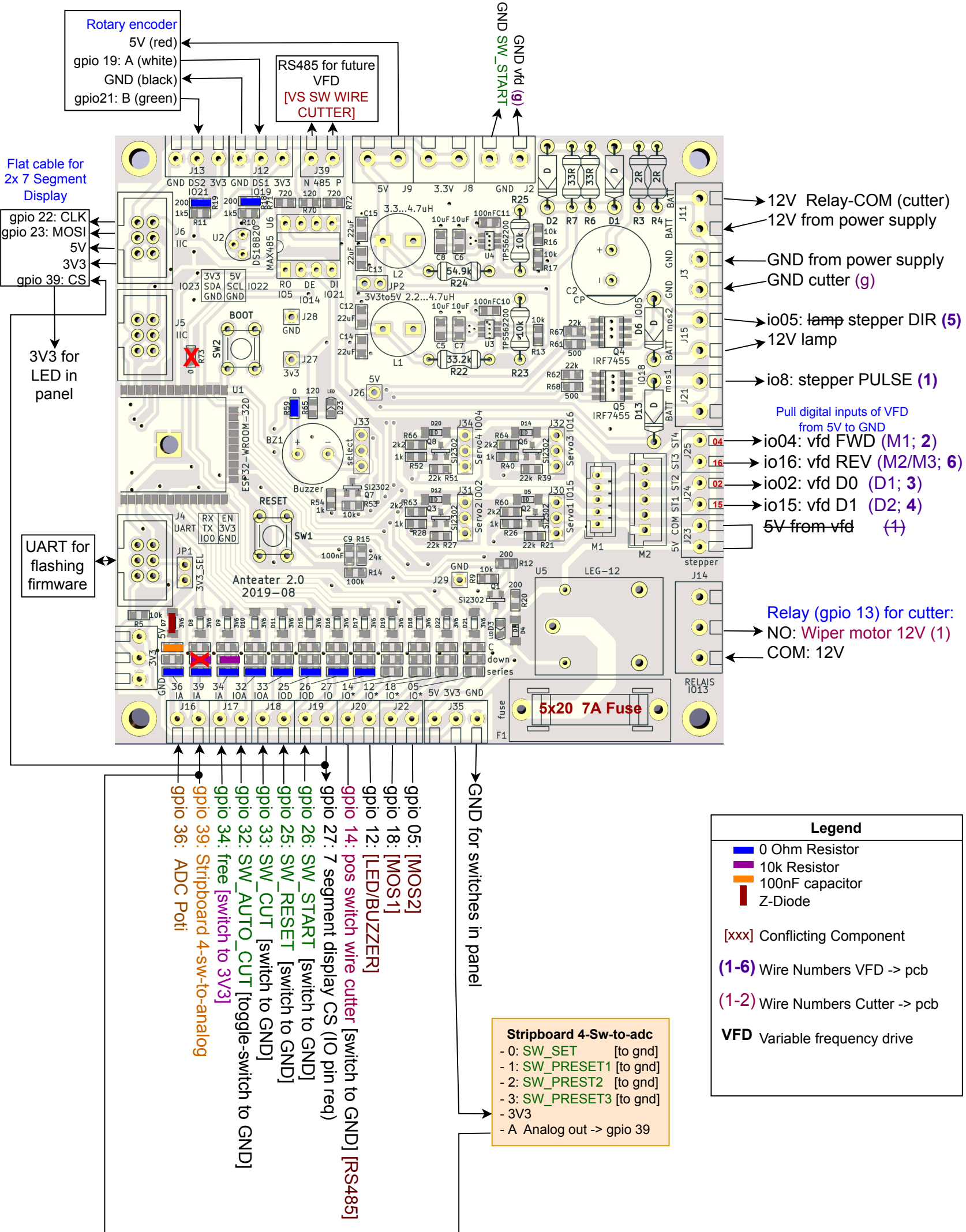
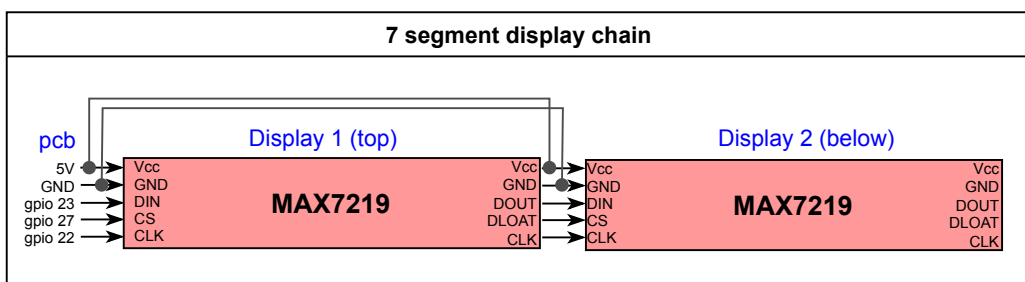
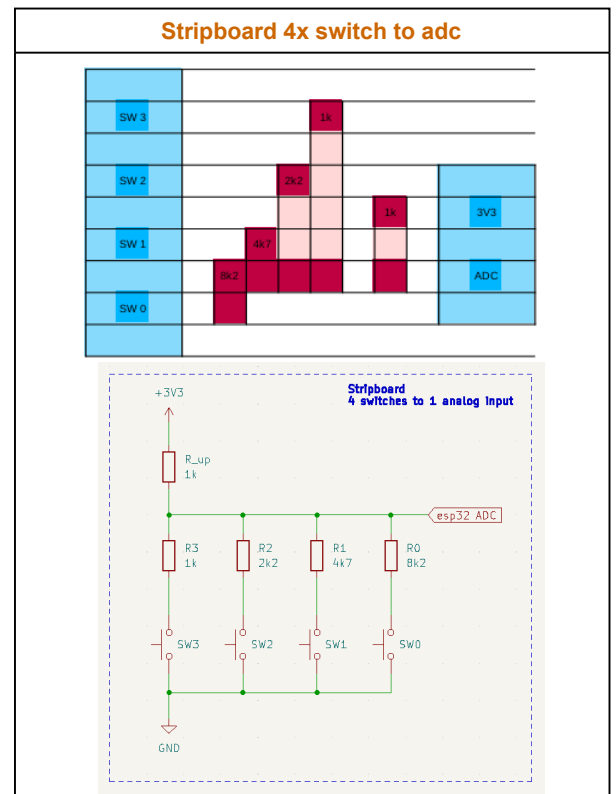
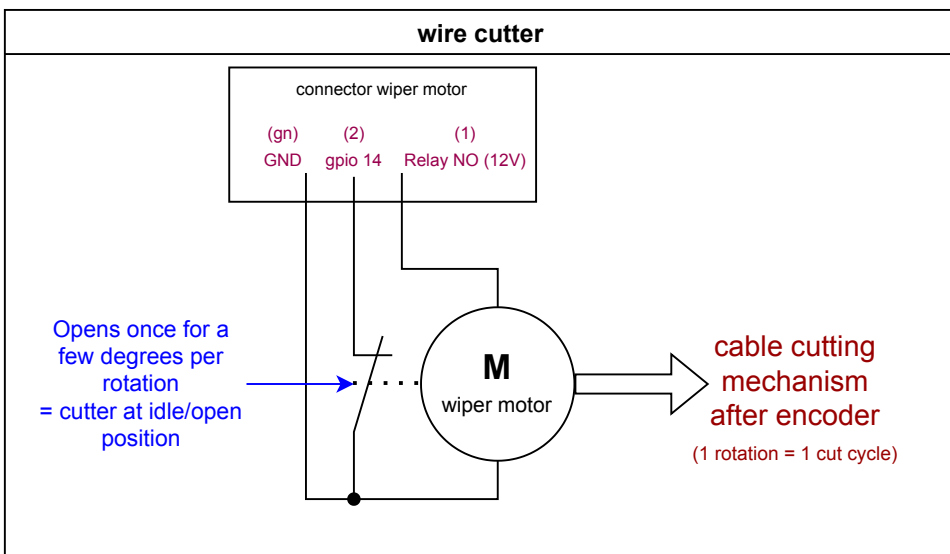
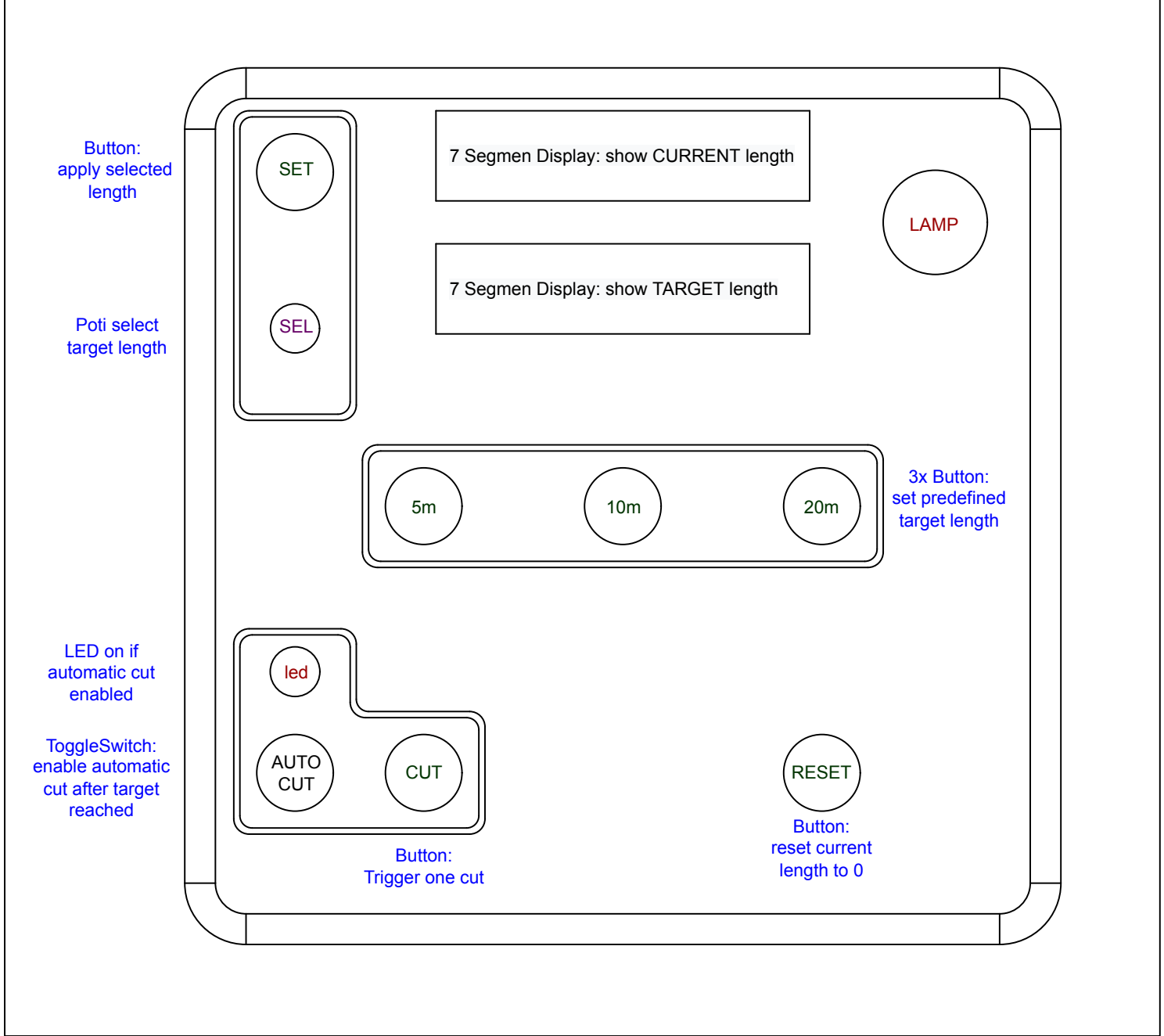


Connection plan pcb - cable length cutter

01.03.2023

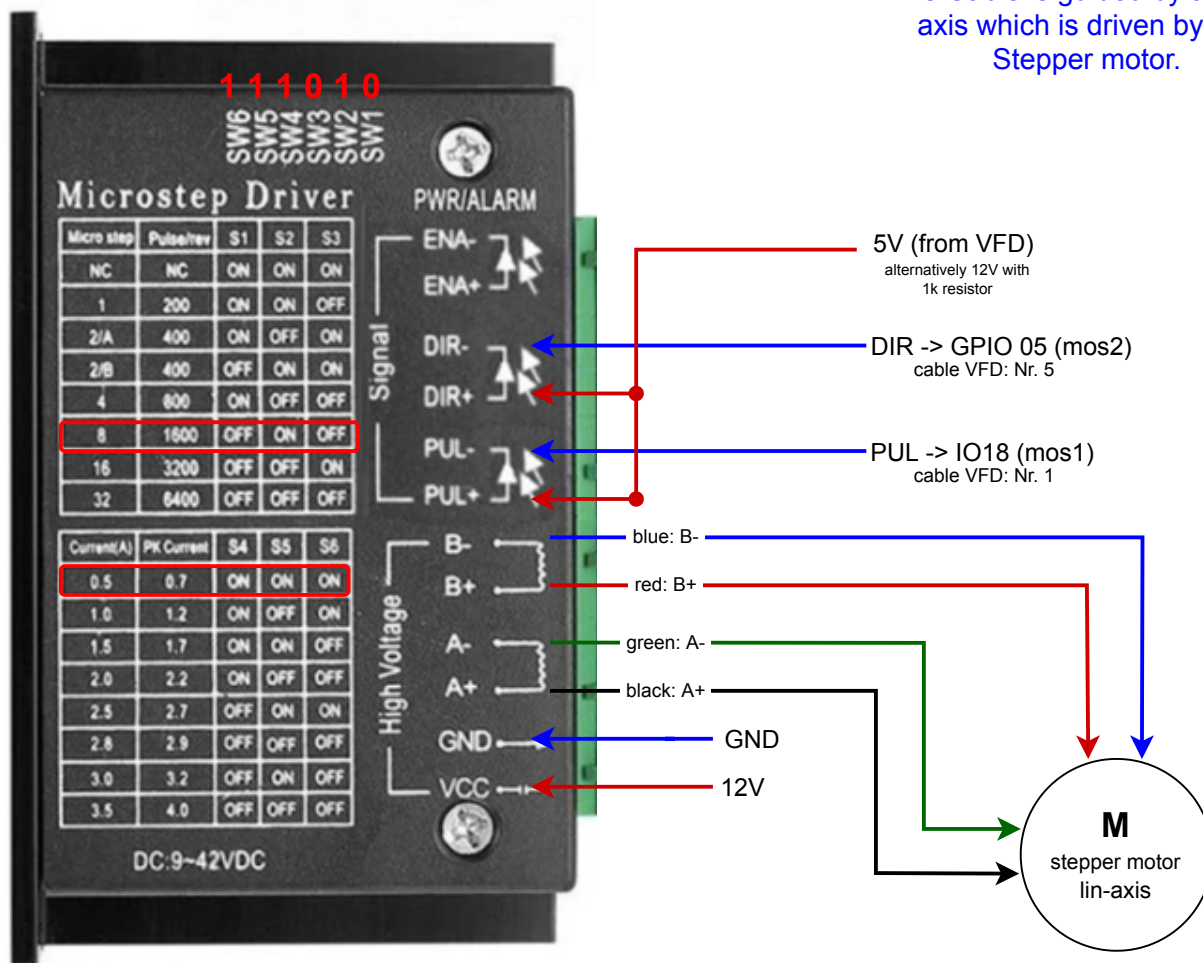


Control panel layout



Stepper driver

The Cable is guided by a linear axis which is driven by this Stepper motor.



Wiring-plan

