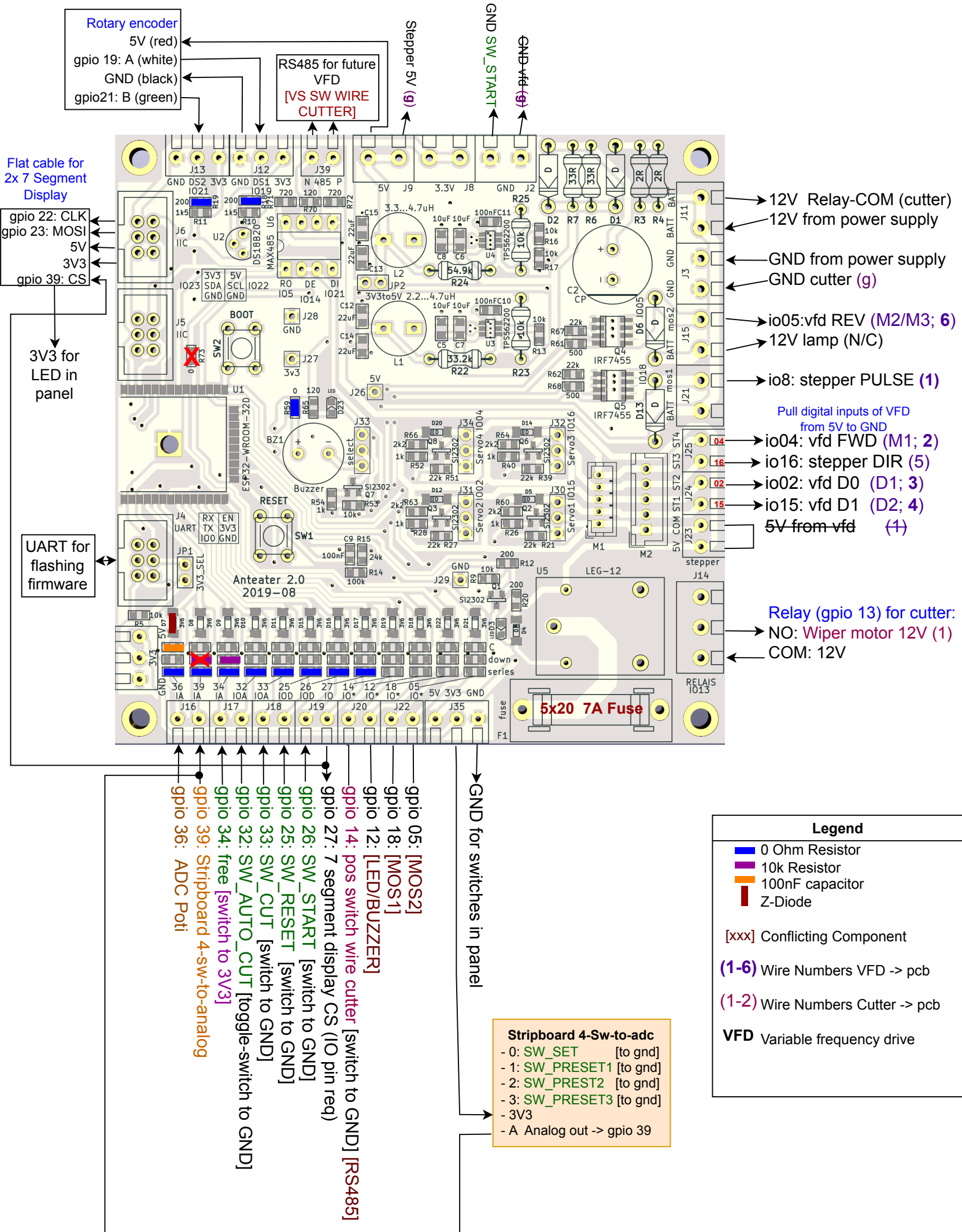
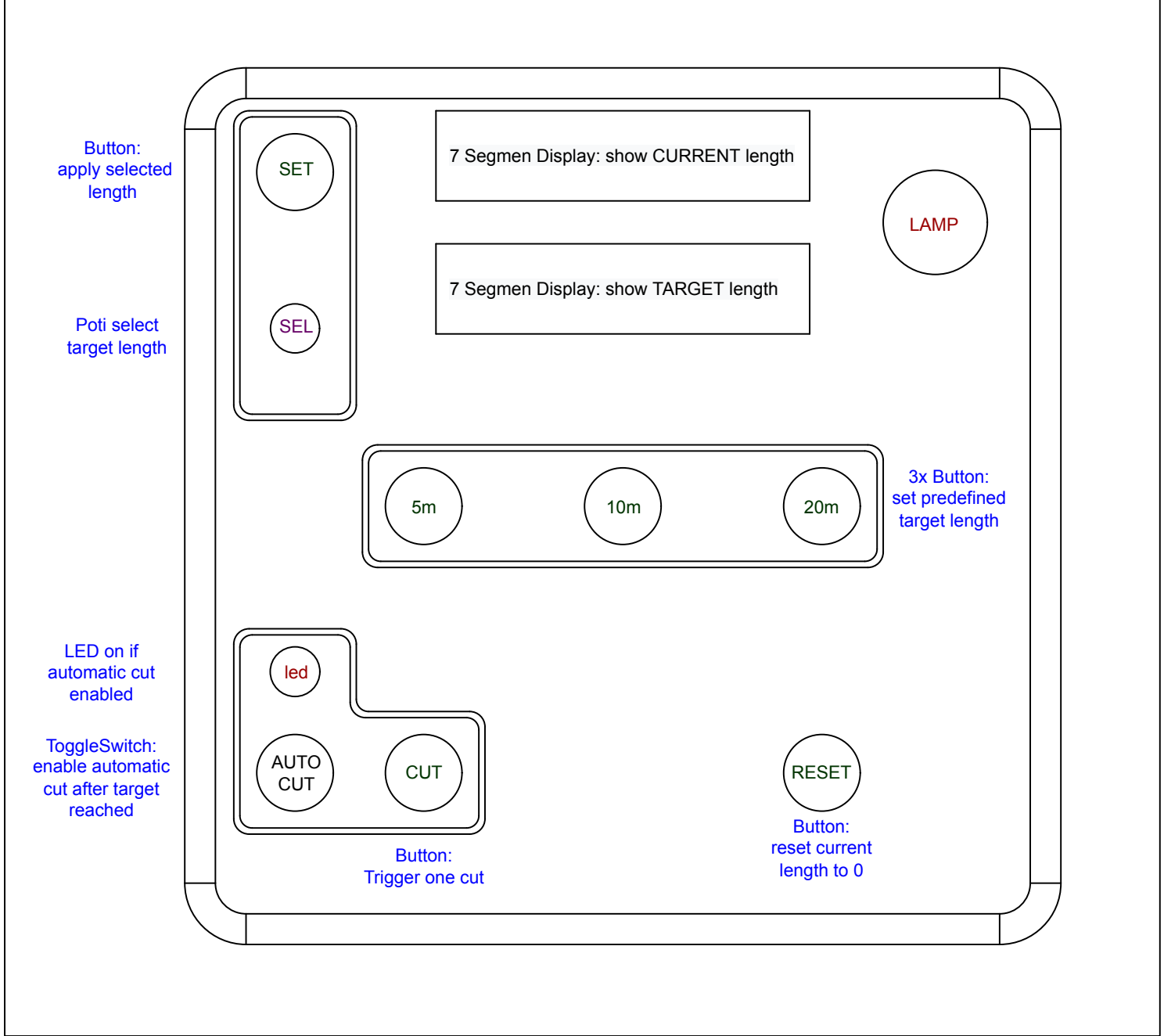


# Connection plan pcb - cable length cutter

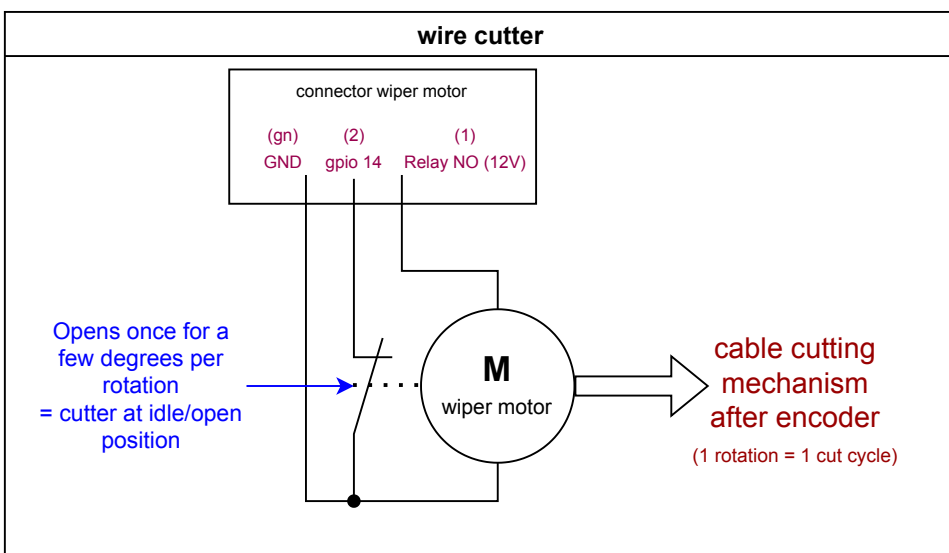
02.03.2023



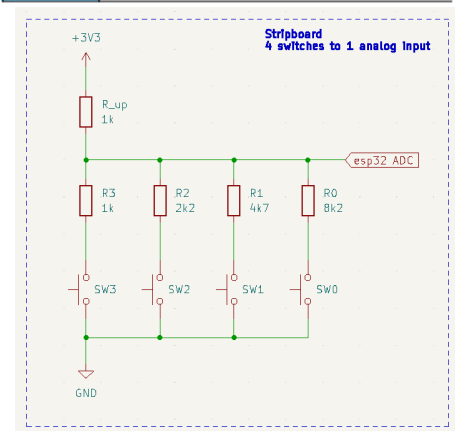
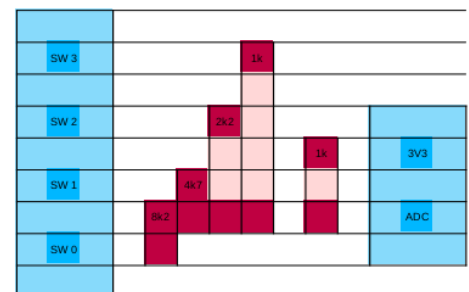
# Control panel layout



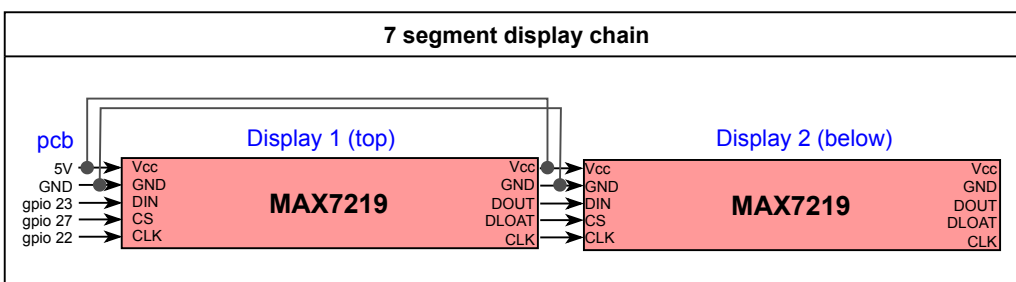
## wire cutter



## Stripboard 4x switch to adc

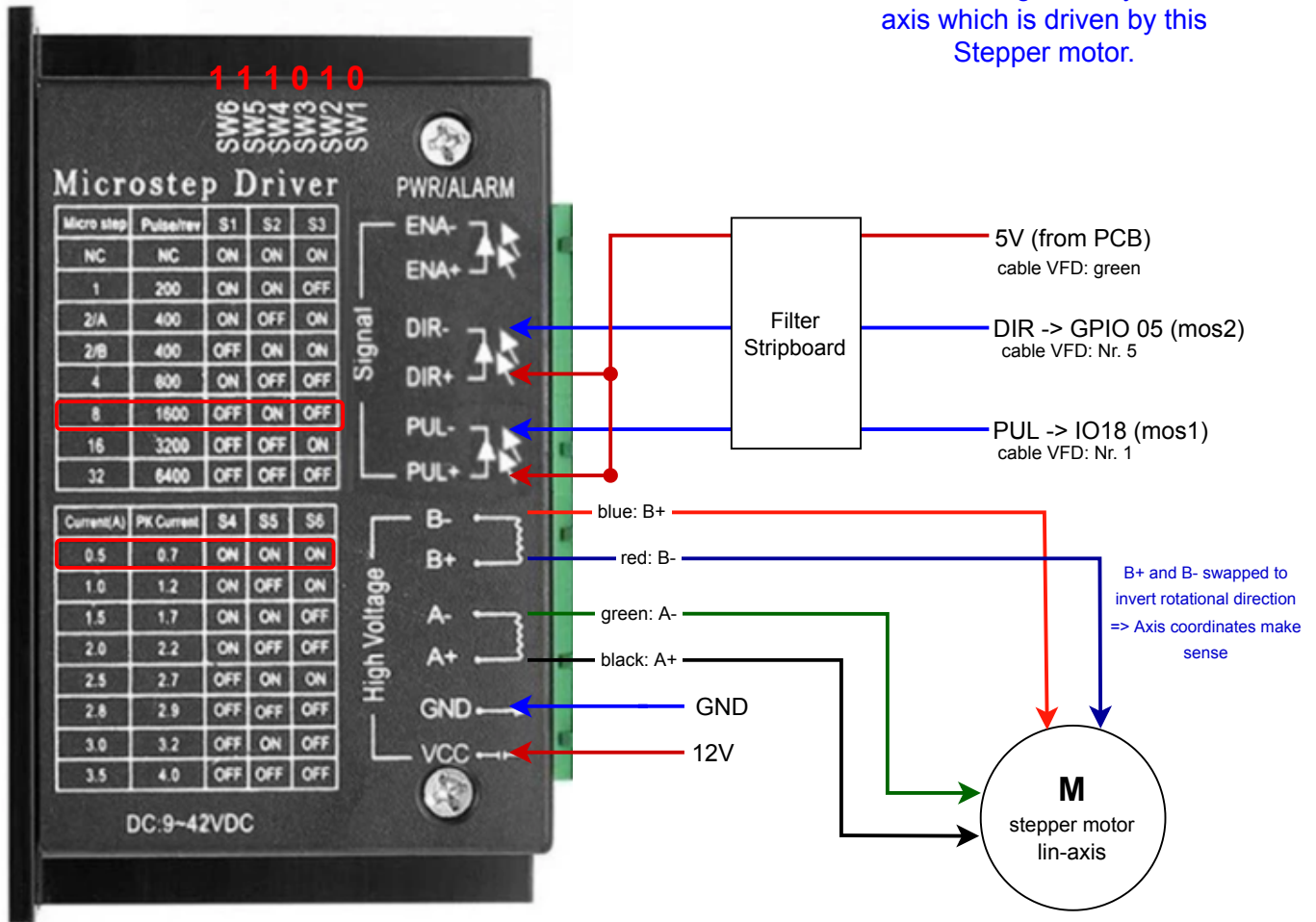


## 7 segment display chain



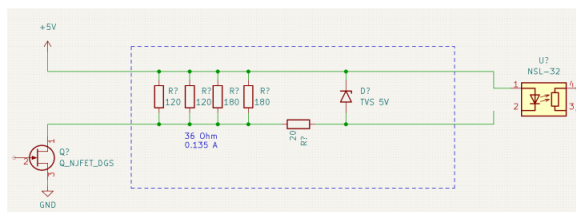
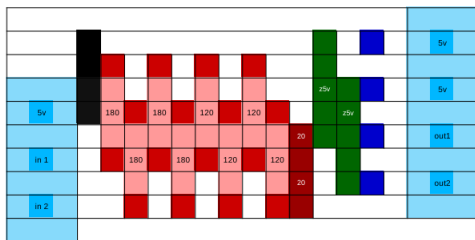
# Stepper driver

The Cable is guided by a linear axis which is driven by this Stepper motor.



## Filter stripboard

Stripboard between pcb and stepper driver to reduce noise introduced by VFD



Wiring-plan

