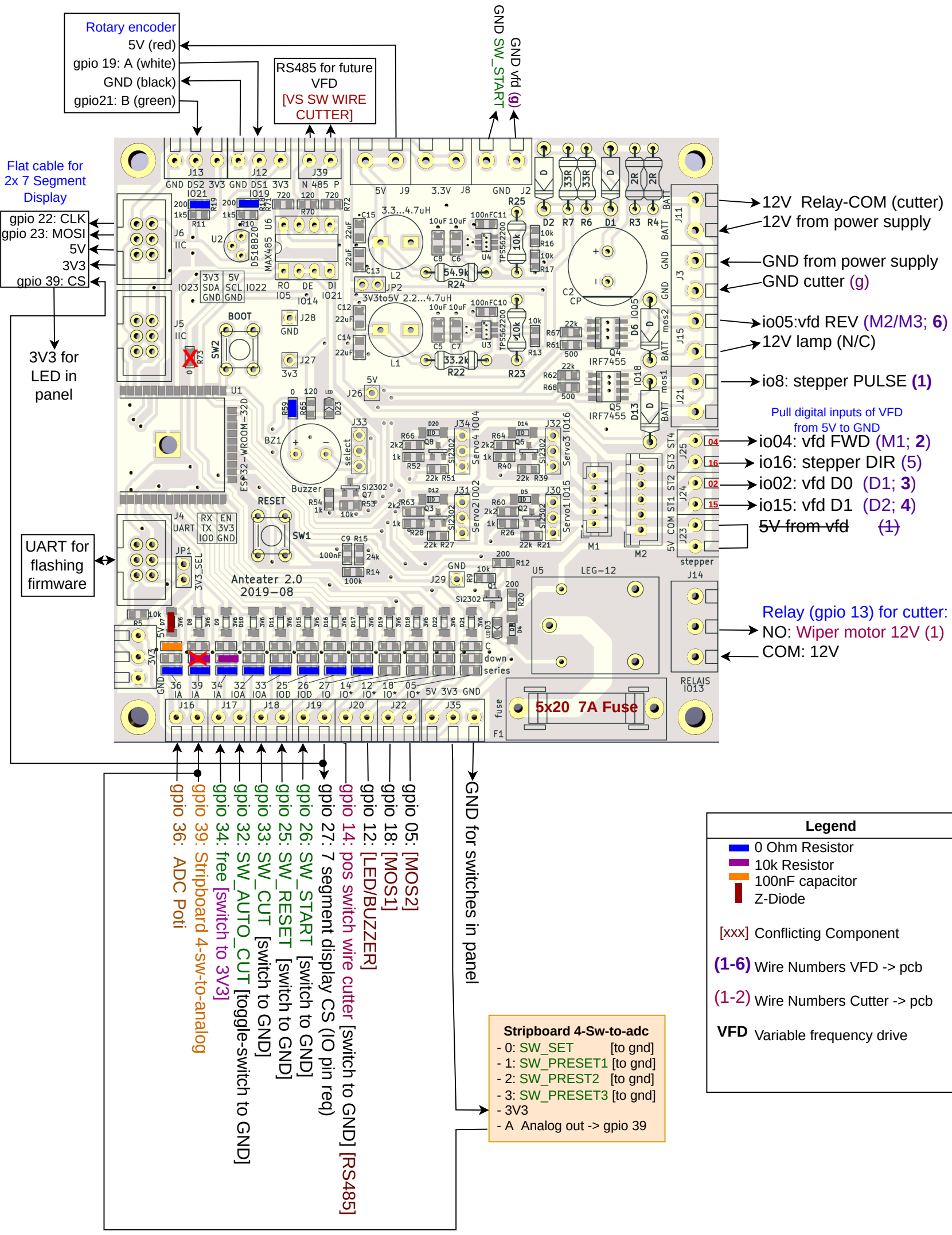


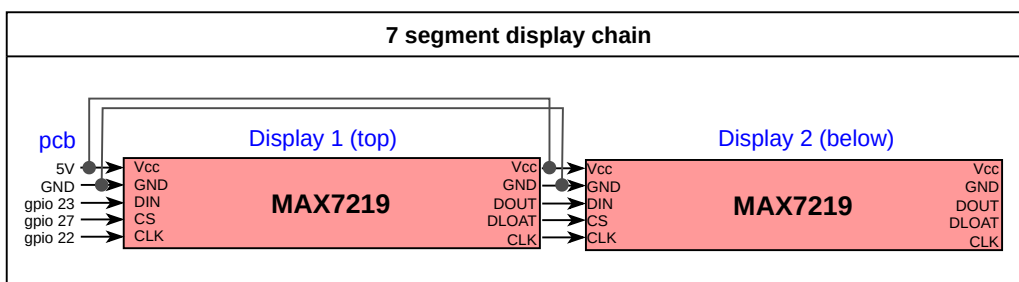
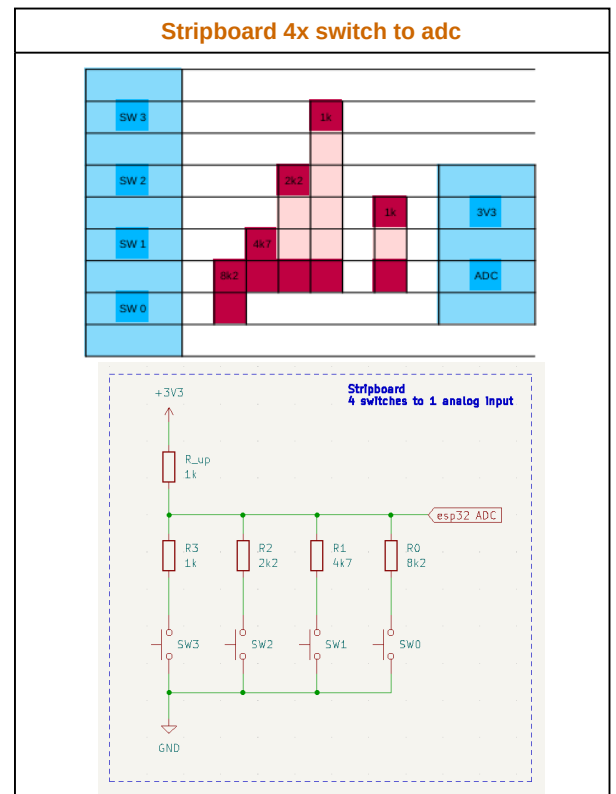
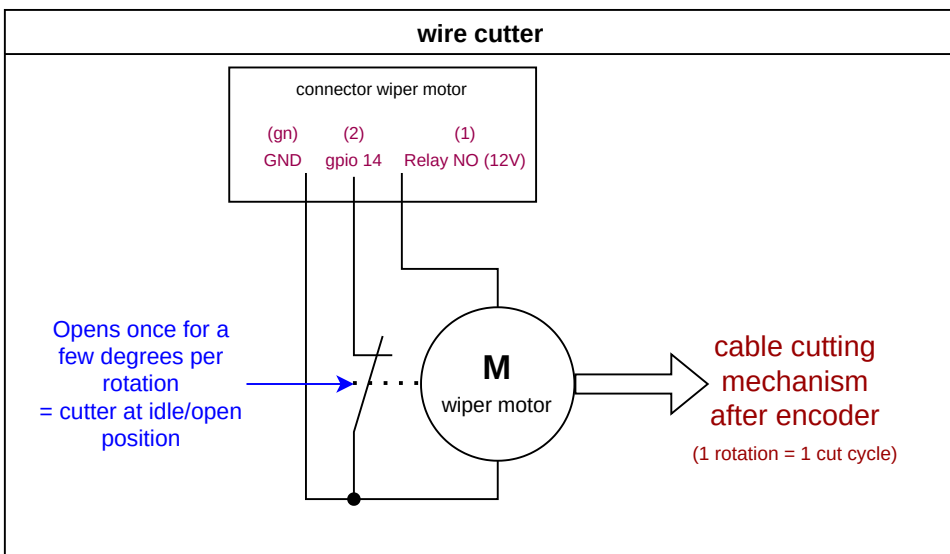
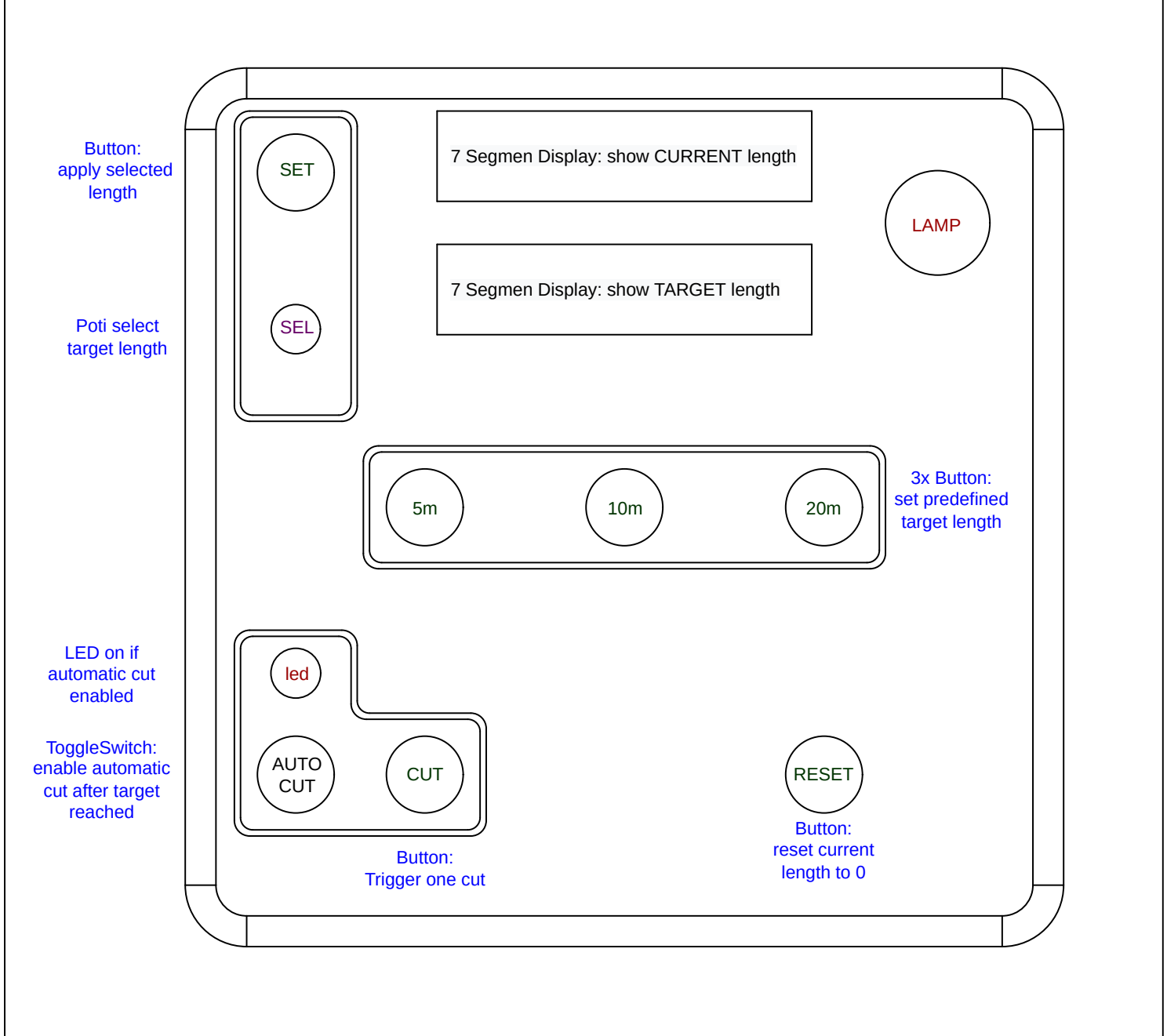
Connection plan pcb - cable length cutter

01.03.2023



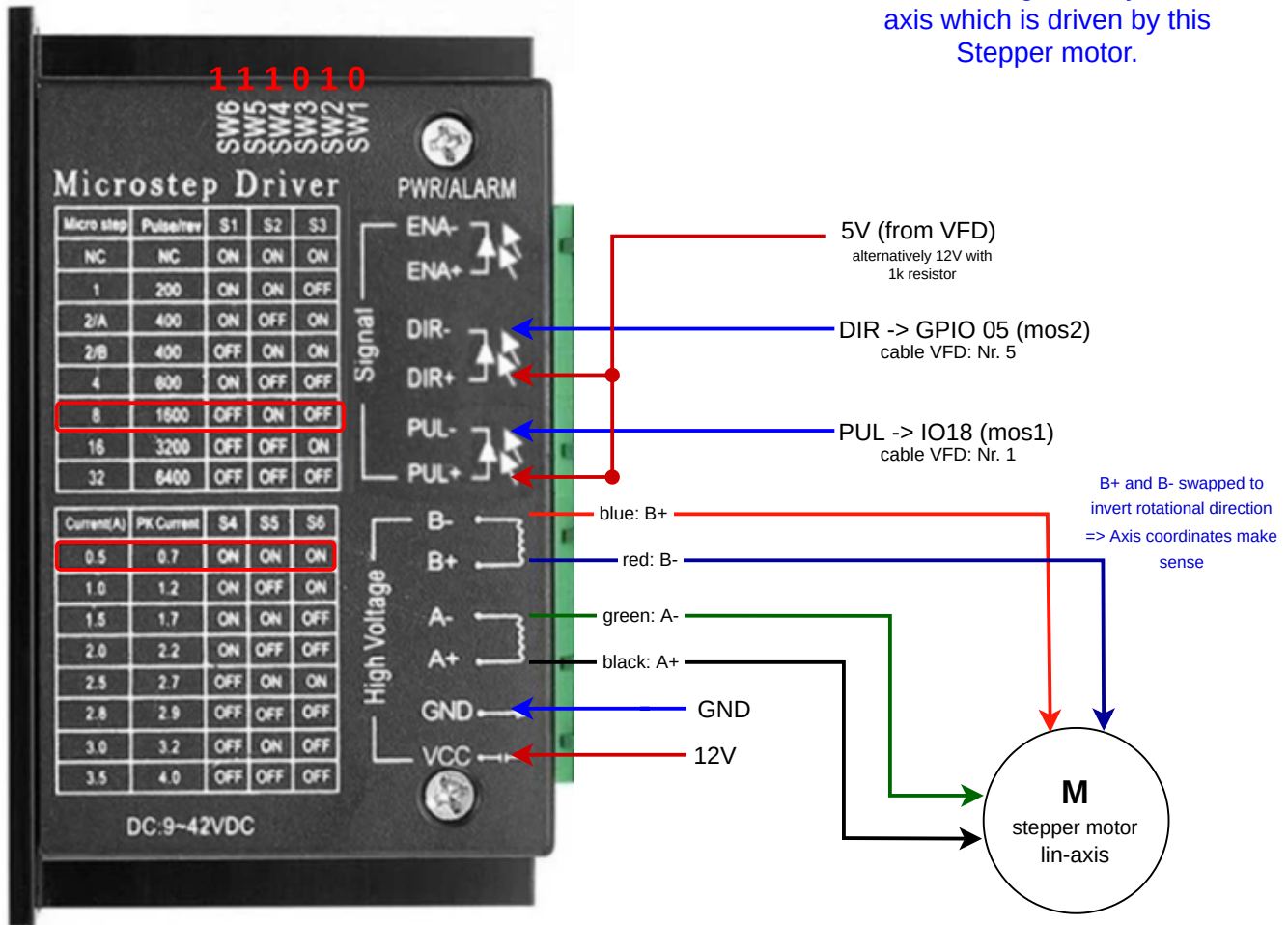
Legend	
■	0 Ohm Resistor
■	10k Resistor
■	100nF capacitor
■	Z-Diode
[xxx]	Conflicting Component
(1-6)	Wire Numbers VFD -> pcb
(1-2)	Wire Numbers Cutter -> pcb
VFD	Variable frequency drive

Control panel layout



Stepper driver

The Cable is guided by a linear axis which is driven by this Stepper motor.



Wiring-plan

