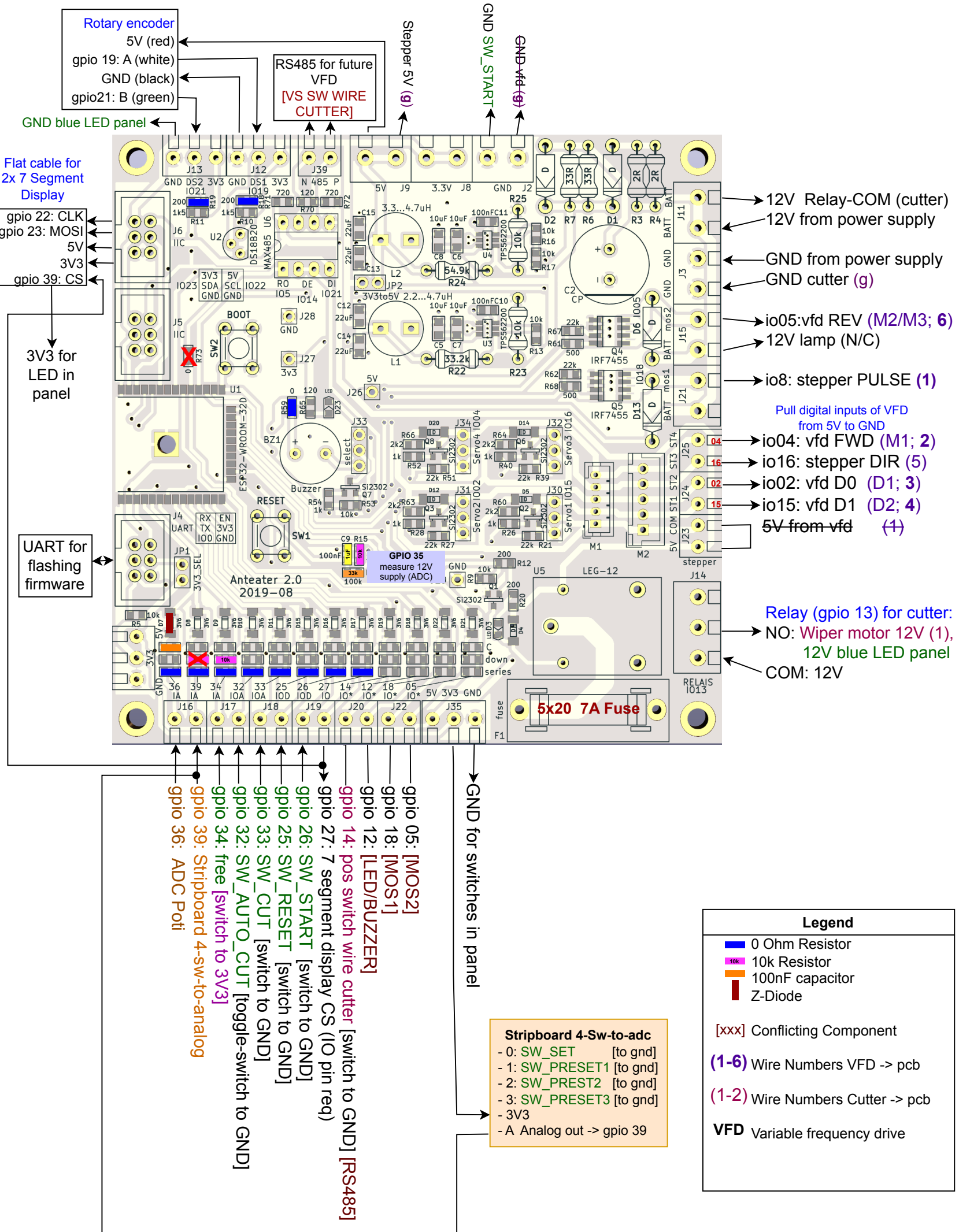
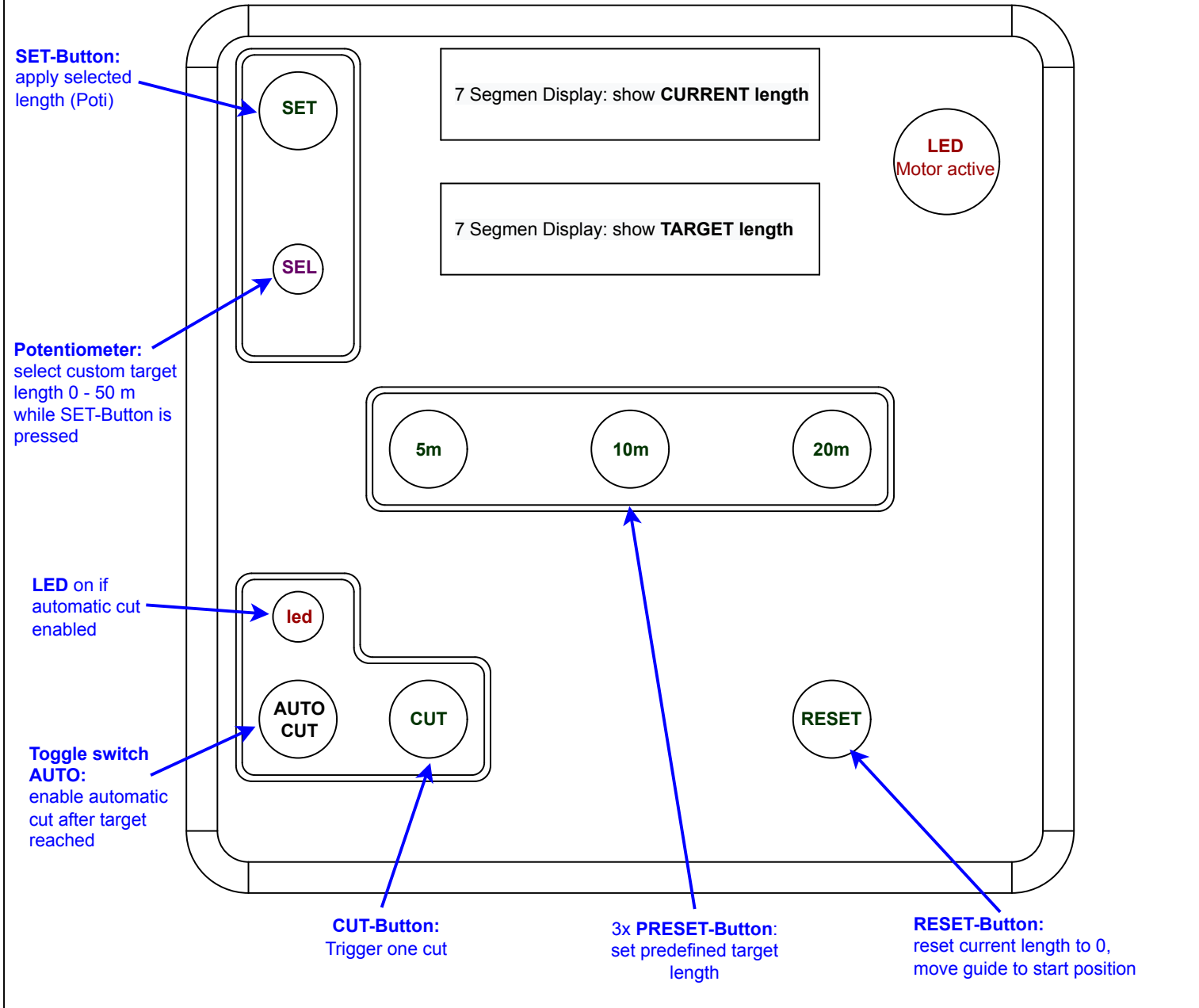


Connection plan - cable length cutter

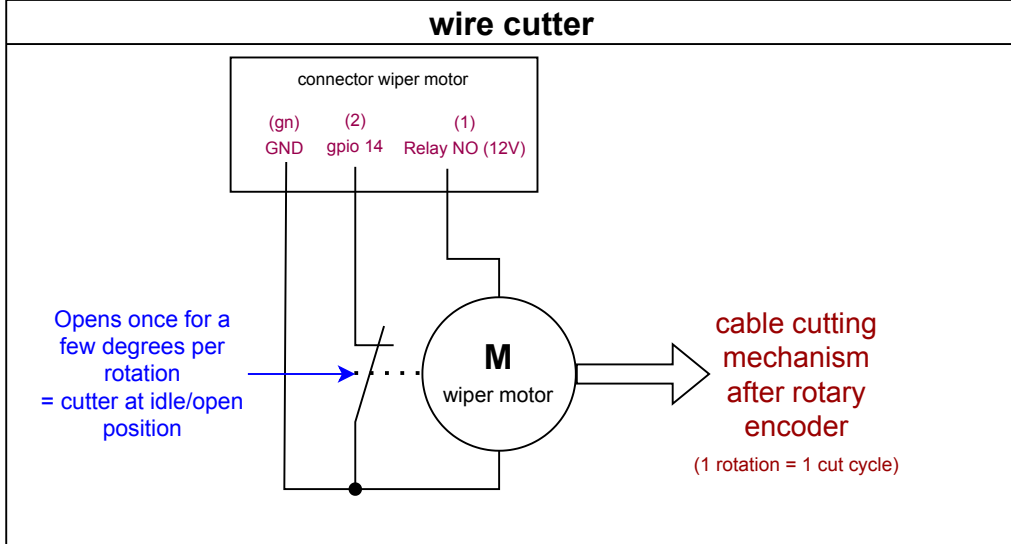
13.03.2024



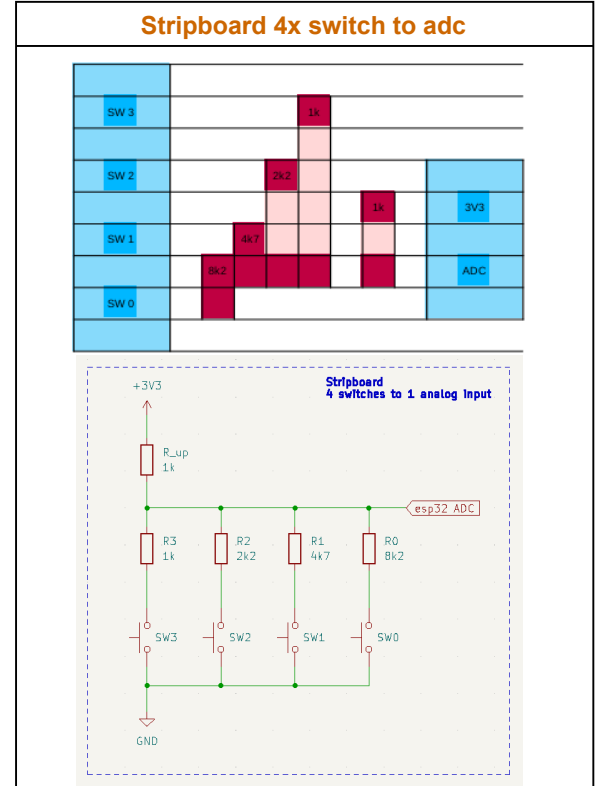
Control panel layout



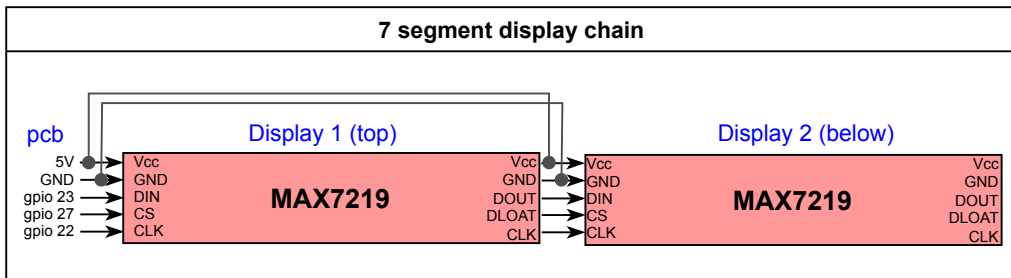
wire cutter



Stripboard 4x switch to adc

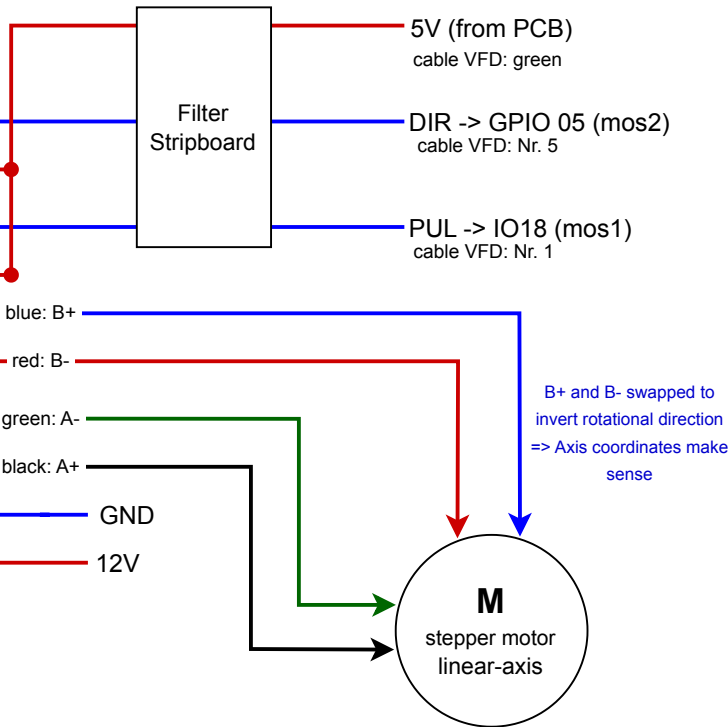
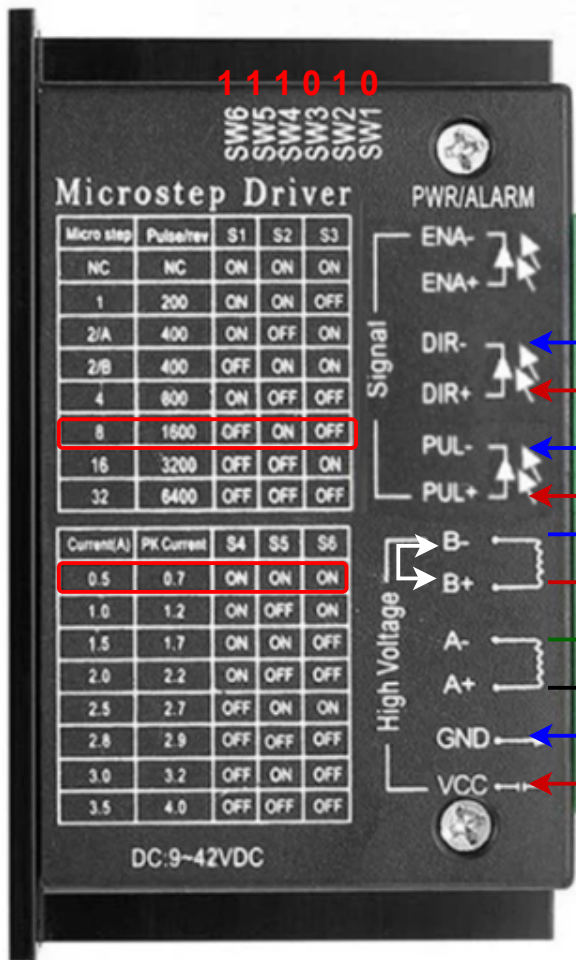


7 segment display chain



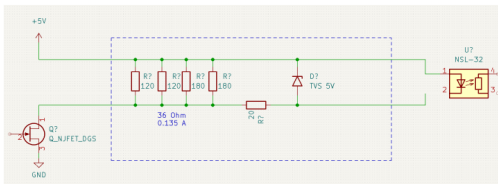
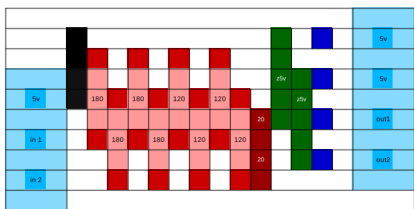
Stepper driver

The Cable is guided by a linear axis which is driven by this Stepper motor.



Filter stripboard

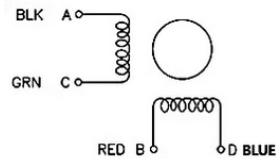
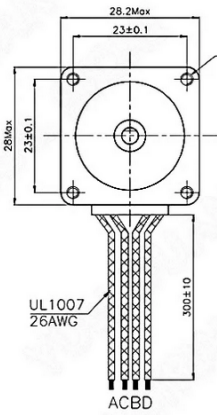
Stripboard between pcb and stepper driver to reduce noise introduced by VFD



Stepper specification

Nema 11 Stepper Motor Parameter Table

型号 MODEL	保持转矩 HOLDING TORQUE		额定 电 流 RATER CURRENT A/PHASE	相电阻 RESISTANCE Ω /PHASE	相电感 INDUCTANCE (PINS) mH/PHASE	引线 数 LEAD WIRES	转动惯量 ROTOR INERTIA		重量 MASS kg (lb)	机身厚度L mm (inch)
	N. m	oz-in					g. cm ²	oz-in ²		
28HB30-401A	0.07	10	0.6A	6.7ohm	5.0mH	4	9	0.05	0.1	30
28HB30-402A			1.0A	2.4ohm	1.8mH					
28HB40-401A	0.12	17	0.6A	9.3ohm	7.5mH		12	0.07	0.15	40
28HB40-402A			1.0A	3.3ohm	2.7mH					
28HB50-401A	0.18	25.6	0.6A	12.5ohm	11mH	18	0.1	0.2	50	
28HB50-402A			1.0A	4.4ohm	4.0mH					



Wiring-plan

