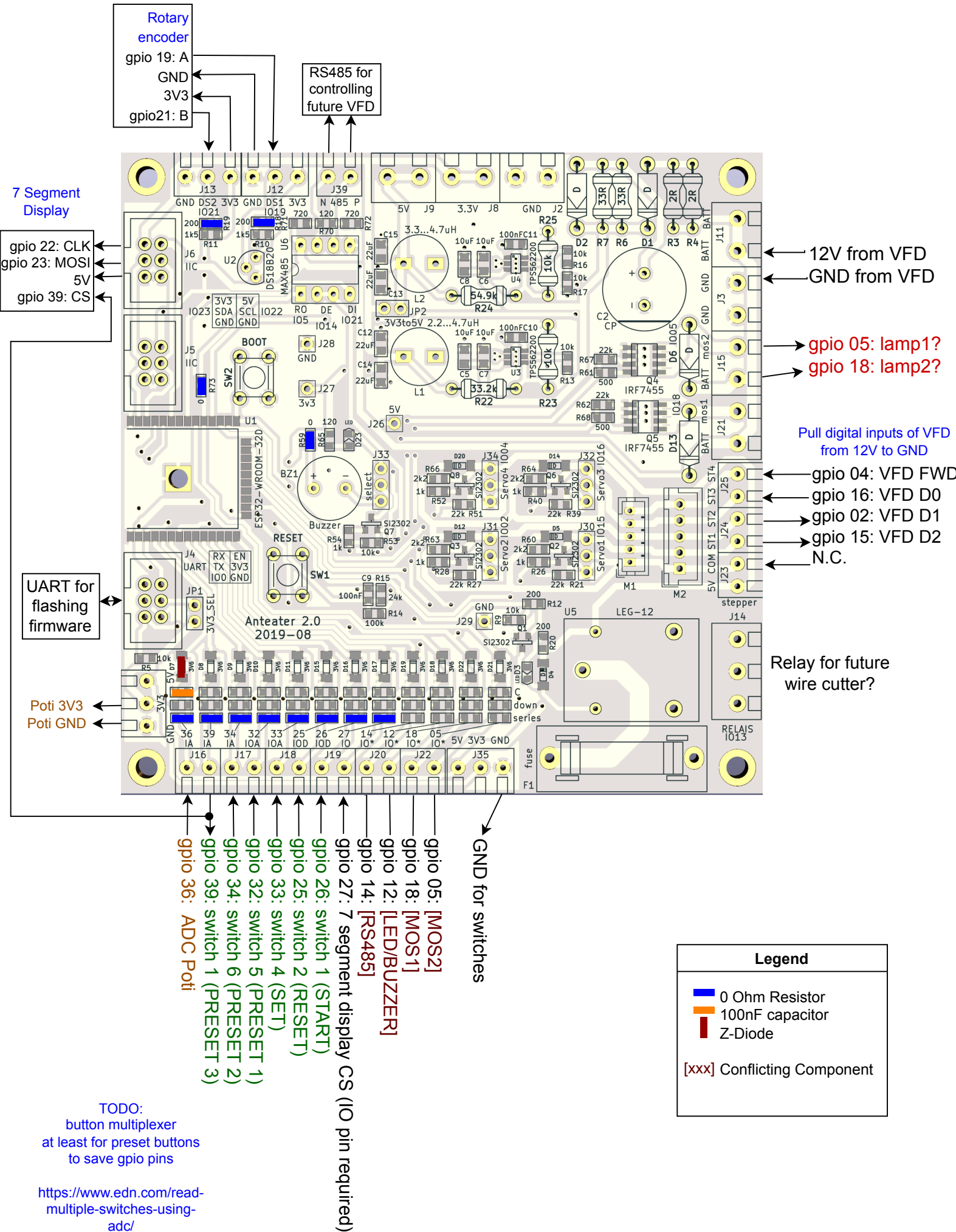
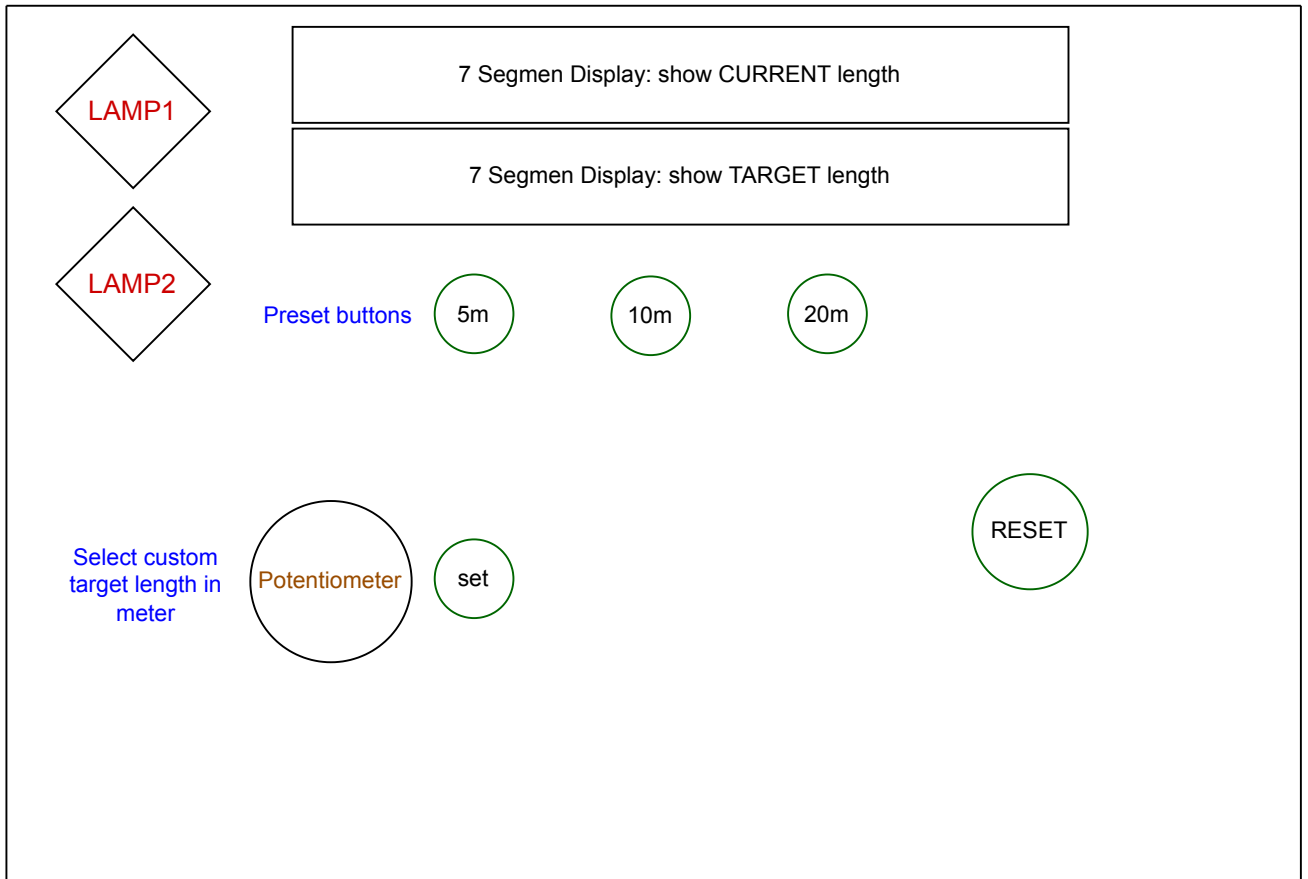


Connection plan pcb for cable length cutter



Control panel layout



2 start buttons wired in series that have to be hold for motor to be active.

This prevents hands from touching the rotating parts => better safety

