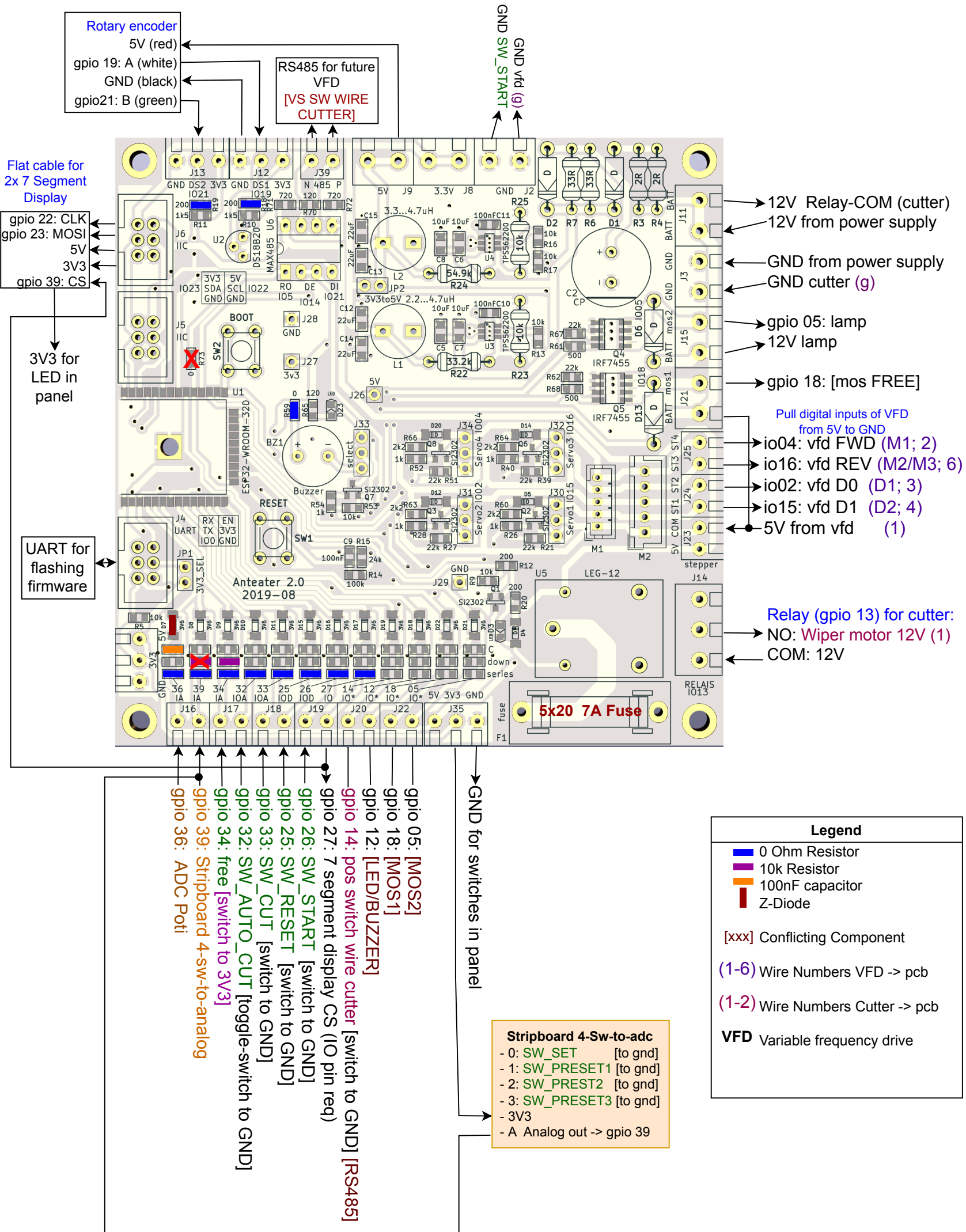
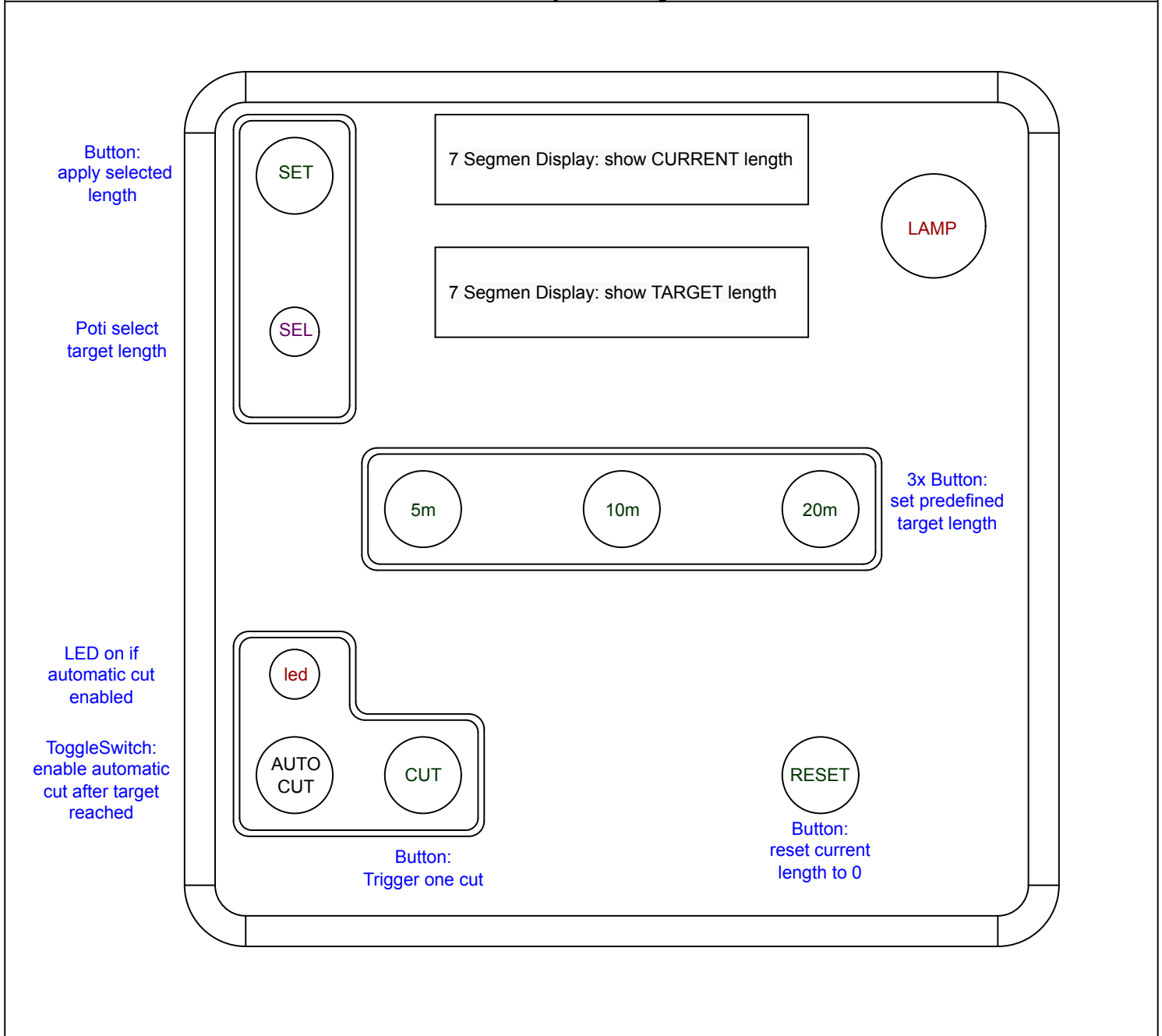


Connection plan pcb - cable length cutter

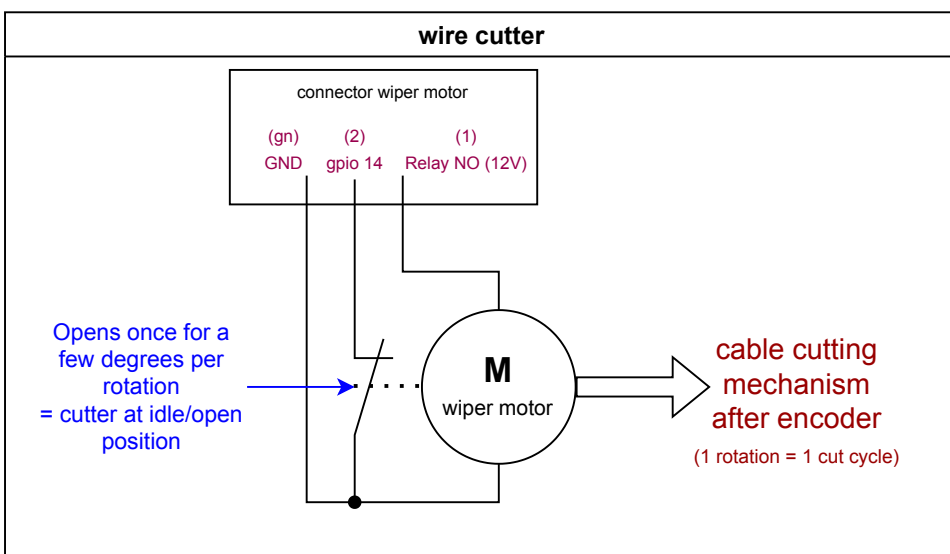
23.09.2022



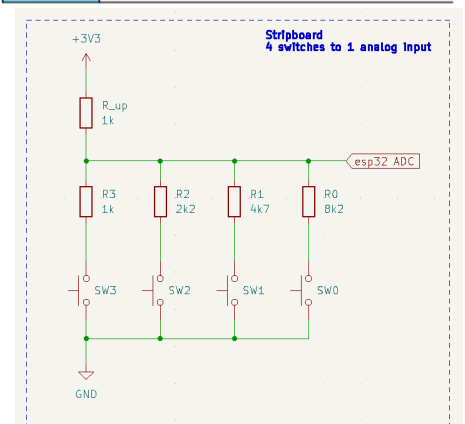
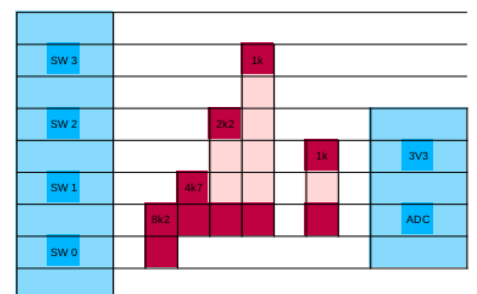
Control panel layout



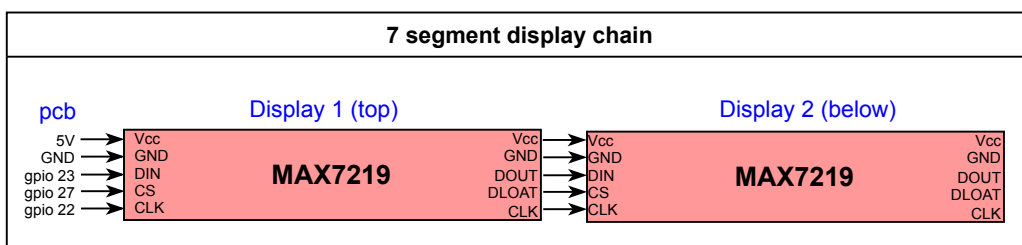
wire cutter



Stripboard 4x switch to adc



7 segment display chain



Wiring-plan

