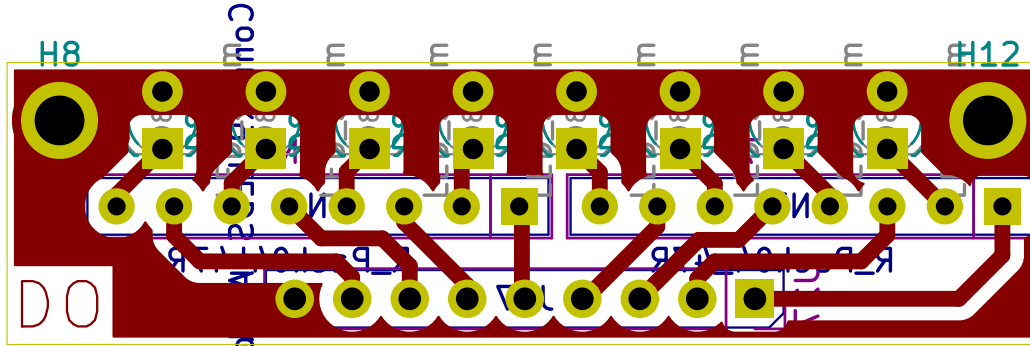
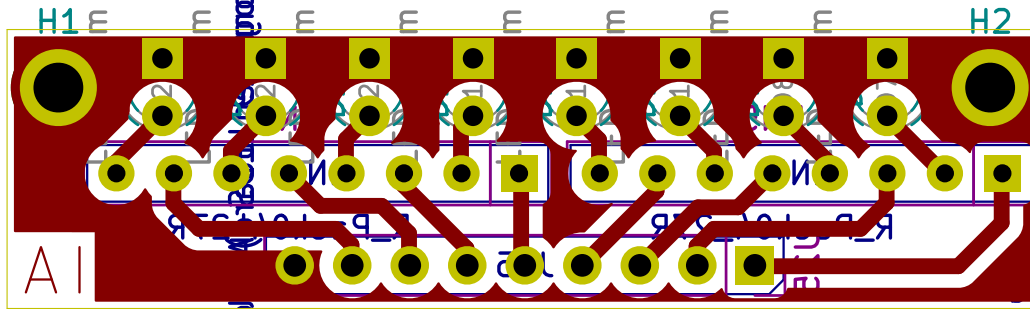


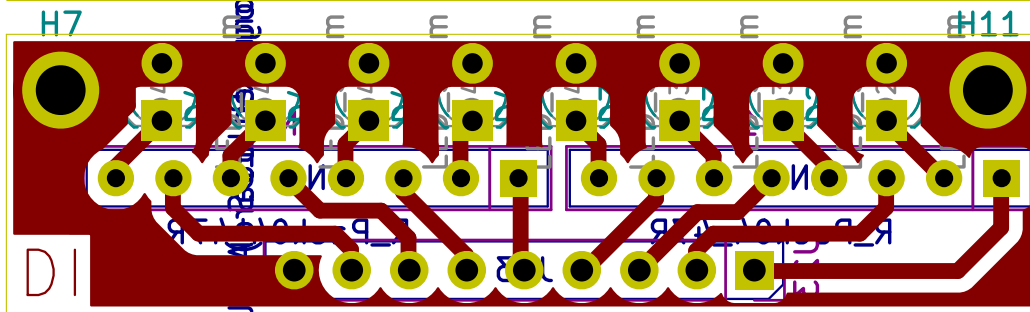
8x digital out
 - 3mm red
 - 47 Ohm
 - common Anode



8x analog in
 - 3mm yellow
 - 47 Ohm
 - common Cathode



8x digital in
 - 3mm orange
 - 27 Ohm
 - common anode



2x Relay
 - 5mm red
 - 52 -> 47 Ohm
 - common anode

2x PWM
 - 5mm blue
 - 15 Ohm
 - common anode

