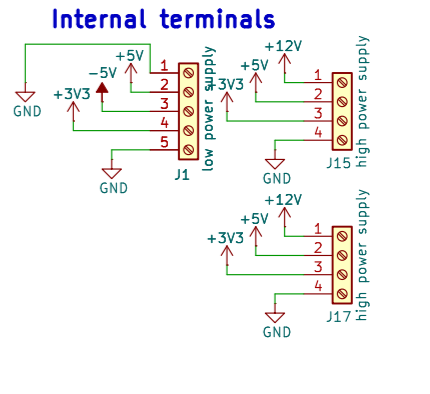
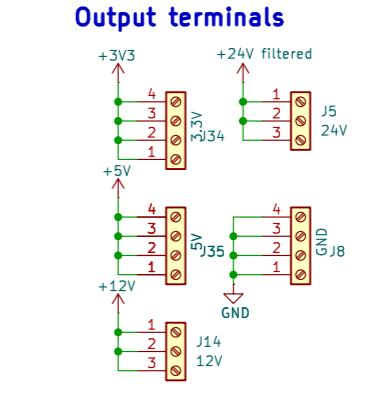
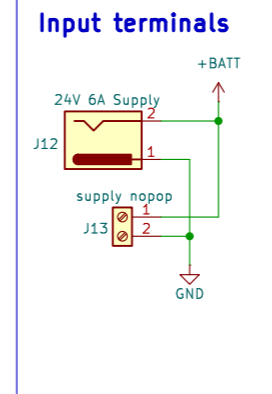
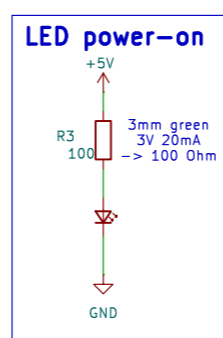
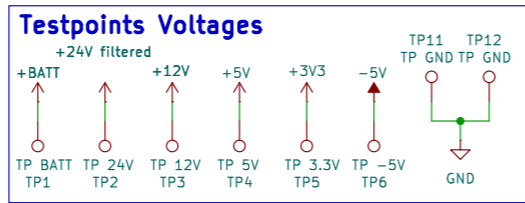
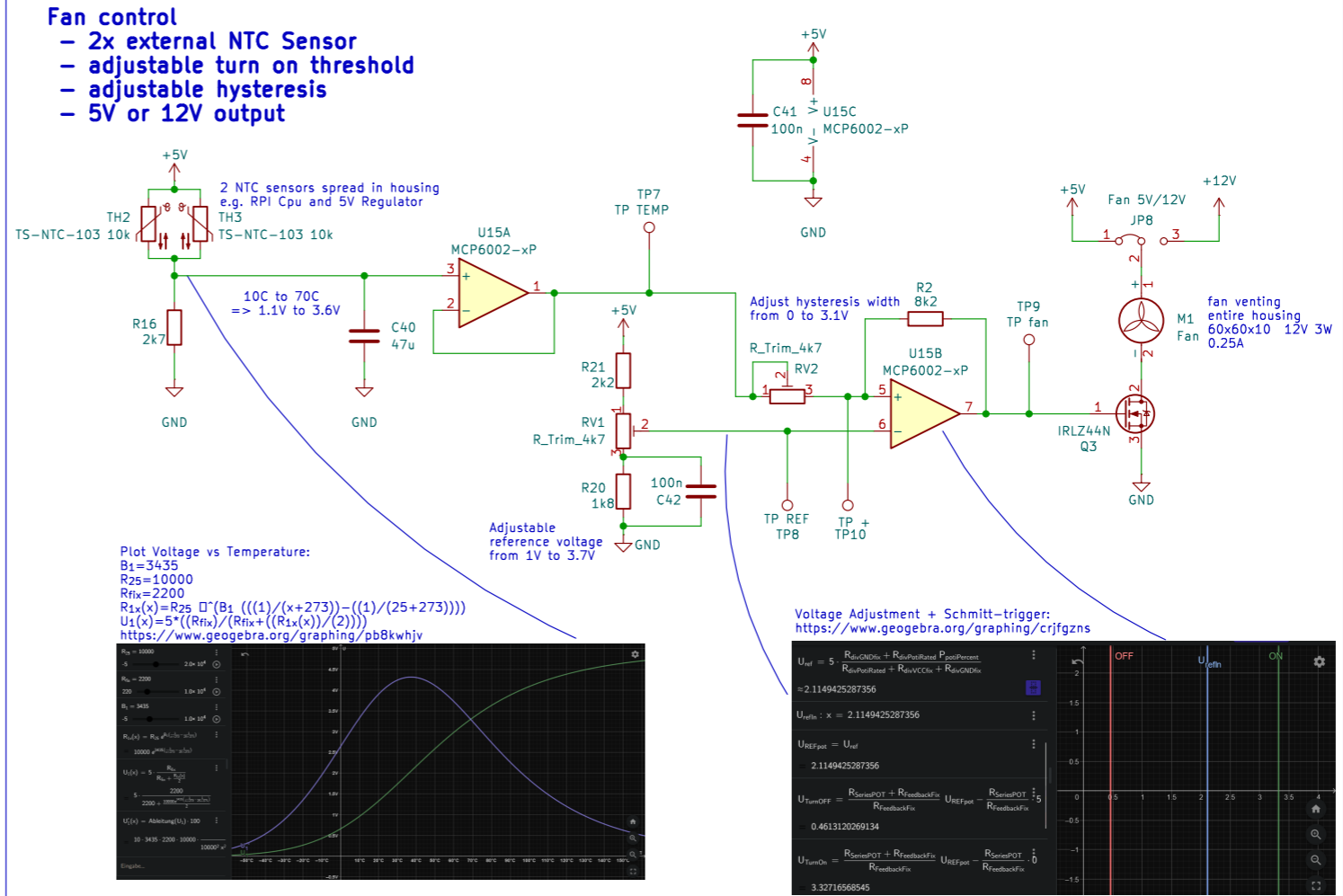
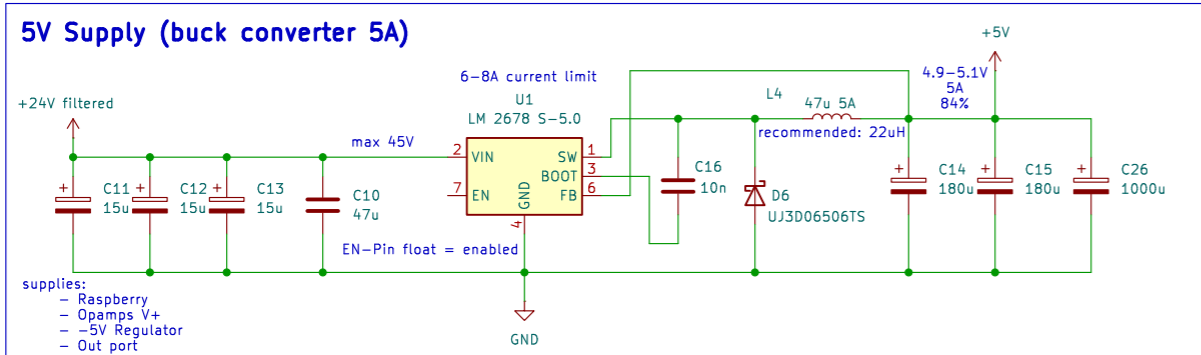
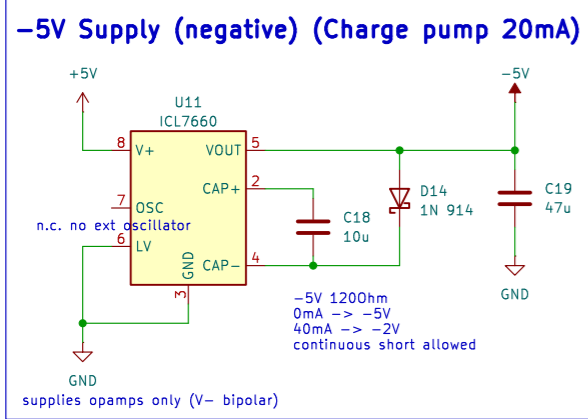
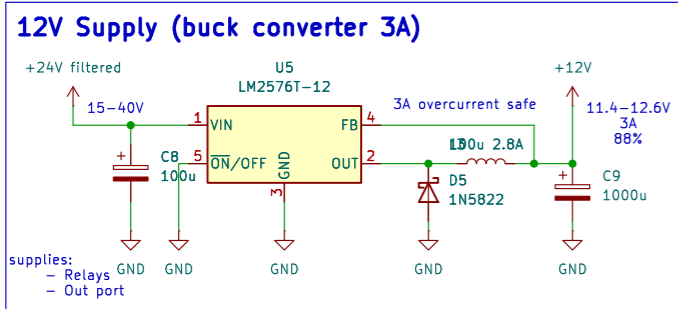
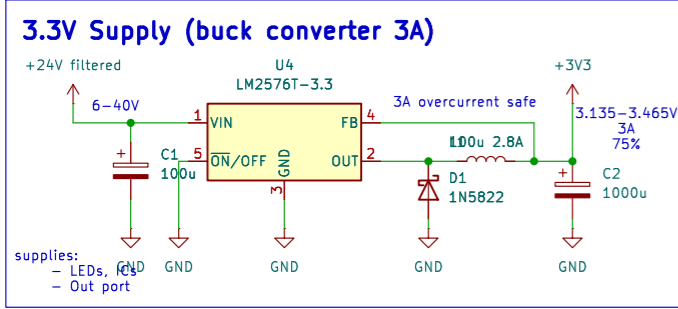


TODO next version:
- add LED for each voltage in housing (external using connector)?
- FIXME: Verify power supply barrel connector polarity (wrong in V1.0)

Changelog / Fixed since V1.0:
- TVS polarity
- Fuse, Diode footprint
- add GND Testpoint
- led gnd via
- 5x low power connector



Supply board for rpi-interface board
Supplies 3V3, 5V -5V, 12V, Filtered 24V

Sheet: /
File: power-supply-board_v1.0.kicad_sch

Title: power-supply-board

Size: A3 Date: 2024-12-20 Rev: V1.0
KiCad E.D.A. 8.0.7 Id: 1/1