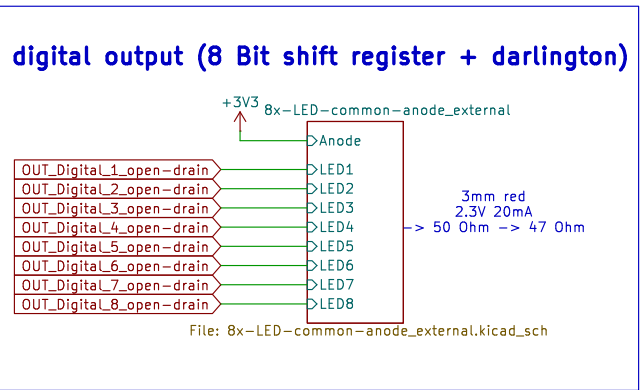
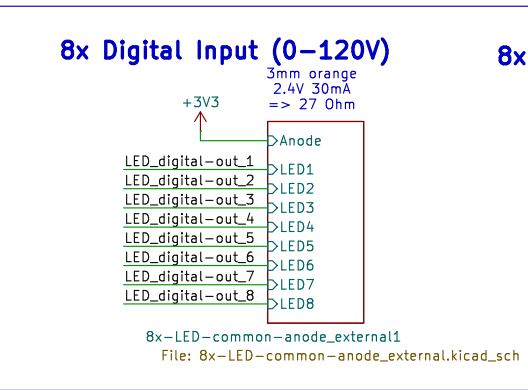
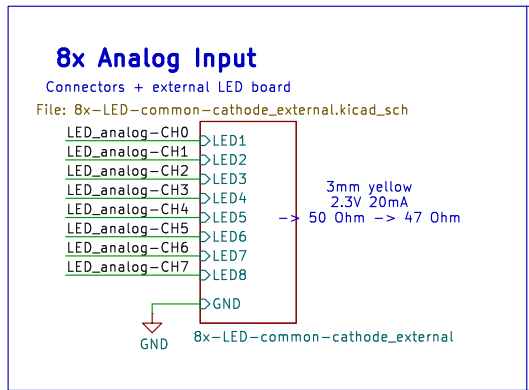
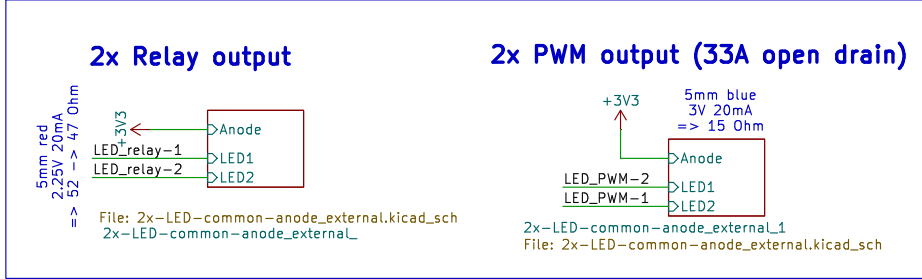


-  H3
-  MH
-  H4
-  MH
-  H5
-  MH



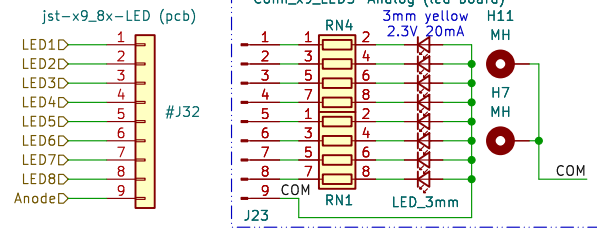
Led boards integrated in housing
SCHERDEL GmbH

Sheet: /
File: led-boards_v0.1.kicad_sch

Title: pi-interface-board: LED-boards

Size: A4	Date: 2024-11-12	Rev: 1.0
KiCad E.D.A. 8.0.7		Id: 1/6

Connectors + external LED board



Sheet: /8x-LED-common-anode_external1/
 File: 8x-LED-common-anode_external.kicad_sch

Title:

Size: A4

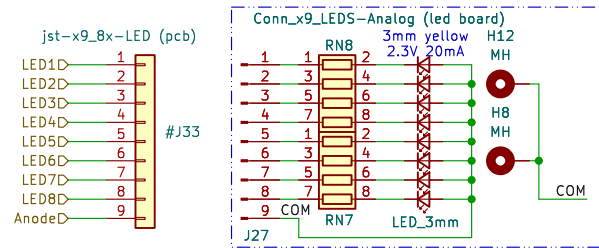
Date:

Rev:

KiCad E.D.A. 8.0.7

Id: 10/6

Connectors + external LED board



Sheet: /8x-LED-common-anode_external/
 File: 8x-LED-common-anode_external.kicad_sch

Title:

Size: A4

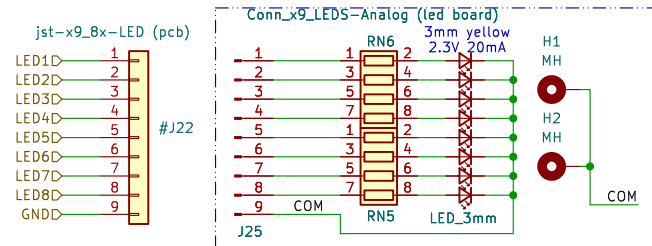
Date:

Rev:

KiCad E.D.A. 8.0.7

Id: 11/6

Connectors + external LED board



Sheet: /8x-LED-common-cathode_external/
 File: 8x-LED-common-cathode_external.kicad_sch

Title:

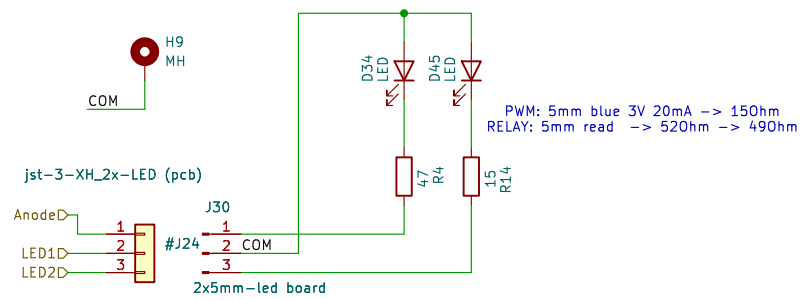
Size: A4

Date:

Rev:

KiCad E.D.A. 8.0.7

Id: 12/6



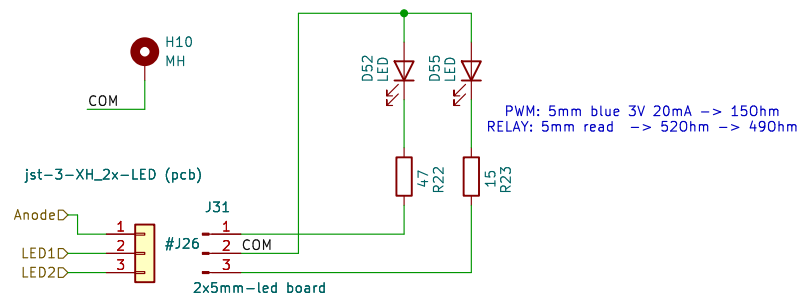
Sheet: /2x-LED-common-anode_external_1/
 File: 2x-LED-common-anode_external.kicad_sch

Title:

Size: A4
 KiCad E.D.A. 8.0.7

Date:

Rev:
 Id: 13/6



Sheet: /2x-LED-common-anode_external_/
 File: 2x-LED-common-anode_external.kicad_sch

Title:

Size: A4
 KiCad E.D.A. 8.0.7

Date:

Rev:
 Id: 14/6